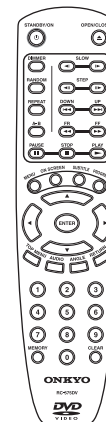
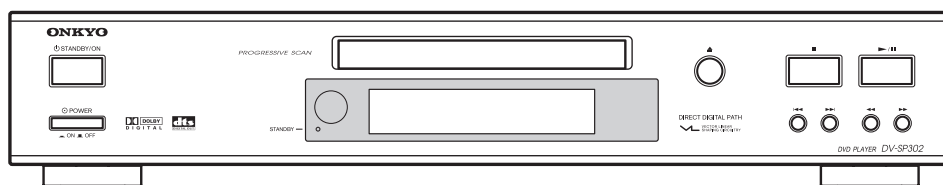


ONKYO SERVICE MANUAL

DVD PLAYER MODEL DV-SP302




RC-575DV

Black, Silver and Golden models

CDD	120V AC, 60Hz
CUA, CUT, CUK, CUR	100-240V AC, 50/60Hz

SAFETY-RELATED COMPONENT WARNING!!

THE MARK  FOUND ON SOME COMPONENT PARTS INDICATES THE CRITICAL FOR RISK OF FIRE AND ELECTRIC SHOCK.

WHEN REPLACING, BE SURE TO USE PARTS OF IDENTICAL DESIGNATION.

MAKE LEAKAGE-CURRENT OR RESISTANCE MEASUREMENTS TO DETERMINE THAT EXPOSED PARTS ARE ACCEPTABLY INSULATED FROM THE SUPPLY CIRCUIT BEFORE RETURNING THE APPLIANCE TO THE CUSTOMER.

SPECIFICATIONS

DVD Player

Power supply	AC 120 V, 60 Hz (North America models) AC 100-240 V, 50/60 Hz (Other models)
Power consumption	16 W
Weight	6.6 lbs, 3.0 kg
External dimensions (W x H x D)	17-1/8" x 3-3/16" x 11-1/8" 435 x 82 x 283 mm
Signal system	PAL/NTSC
Frequency response	Digital output 4 Hz to 22 kHz (48 kHz sampling) DVD linear sound 4 Hz to 44 kHz (96 kHz sampling)
Signal-to-noise ratio (digital output)	More than 90 dB
Audio dynamic range (digital output)	More than 90 dB
Harmonic distortion (digital output)	Less than 0.008%
Wow and flutter	Below measurable level

Outputs

Video output	1.0 V (p-p), 75 ohm negative sync., pin jack
S-video output	(Y) 1.0 V (p-p), 75 ohm negative sync., (C) 0.286 V (p-p), 75 ohm Mini DIN 4-pin PAL: (C) 0.300 V (p-p)
Component video output	(Y) 1.0 V (p-p), 75 ohm negative sync., (P _B)/(P _R) 0.7 V (p-p), 75 ohm pin jack
Audio output	Optical digital output -22.5 dBm, optical connector Coaxial digital output 0.5 V (p-p), 75 ohm pin jack Analog output 2.0 V (rms), 100 ohm pin jack (L, R)

Specifications and features are subject to change without notice.

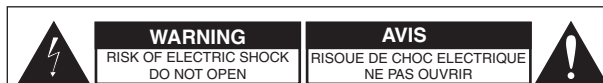
SERVICE PROCEDURE-1

SAFETY CHECK

(Only U.S.A. model)

After correcting the original service problem perform the following safety check before releasing the set to the customer
Connect the insulating-resistance tester between the plug of power supply cord and terminal GND on the back panel.

Specifications: More than 10M ohm at 500V



The lightning flash with arrowhead symbol, within an equilateral triangle, is intended to alert the user to the presence of uninsulated "dangerous voltage" within the product's enclosure that may be of sufficient magnitude to constitute a risk of electric shock to persons.



The exclamation point within an equilateral triangle is intended to alert the user to the presence of important operating and maintenance (servicing) instruction in the literature accompanying the appliance.

LASER CAUTION



This unit contains a semiconductor laser system and is classified as a "CLASS 1 LASER PRODUCT". So, to use this model properly, read this Instruction Manual carefully. In case of any trouble, please contact the store where you purchased the unit. To prevent being exposed to the laser beam, do not try to open the enclosure.

The label on the right is applied on the rear panel except for USA and Canadian models.

"CLASS 1 LASER PRODUCT"

CAUTION:

VISIBLE LASER RADIATION WHEN OPEN AND INTERLOCK FAILED OR DEFEATED. DO NOT STARE INTO BEAM.

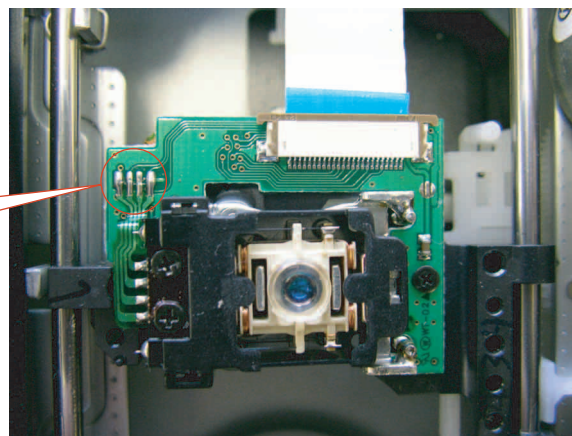
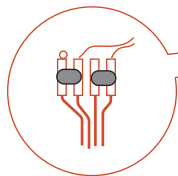
CAUTION:

THIS PRODUCT UTILIZES A LASER. USE OF CONTROLS OR ADJUSTMENTS OR PERFORMANCE OF PROCEDURES OTHER THAN THOSE SPECIFIED HEREIN MAY RESULT IN HAZARDOUS RADIATION EXPOSURE.

1. This unit is a CLASS 1 LASER PRODUCT and employs a laser inside the cabinet.
2. To prevent the laser from being exposed, do not remove the cover. Refer servicing to qualified personnel.

1. Remove the solder of Laser Diode shorting

- 1-1 Remove the bracket magnet.
- 1-2 Shorting the short land with solder.
- 1-3 Remove the FFC and other connectors.



2. Factory setting (Initial setting)

- 2-1 Open the tray. Press 2 second the search button ◀◀ and power key on remote controller (RC-575DV).
- 2-2 Displayed version of firmware on the FL tube.
- 2-3. At above condition, turn off the mechanical power switch.

SERVICE PROCEDURE-2

Replace the DVD mechanism

1. Remove the top cover (six screws)
2. Remove two screws of both side of front panel.
3. Remove the bracket mecha. (two screws).
4. Shift the cam slider on bottom side. (See Fig-1)
5. Remove the tray.
6. Remove FFC, connector and one screw.
7. A tray is drawn out extending a nail. (See Fig-2)

Bottom side

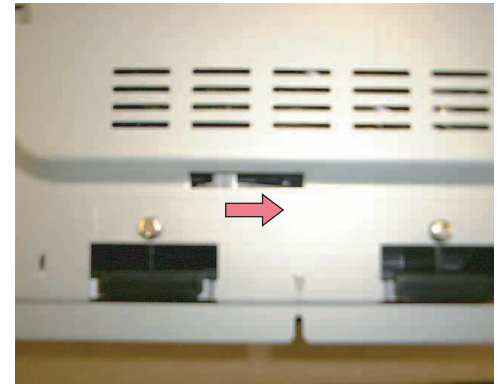
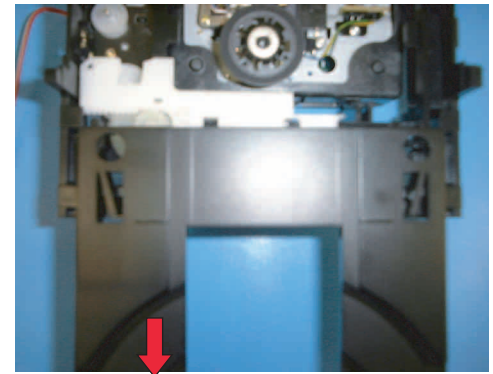
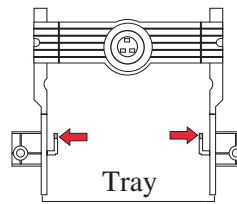
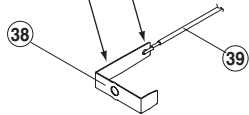
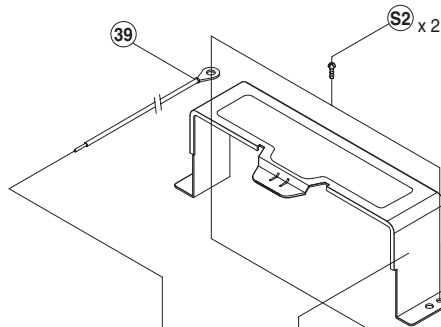
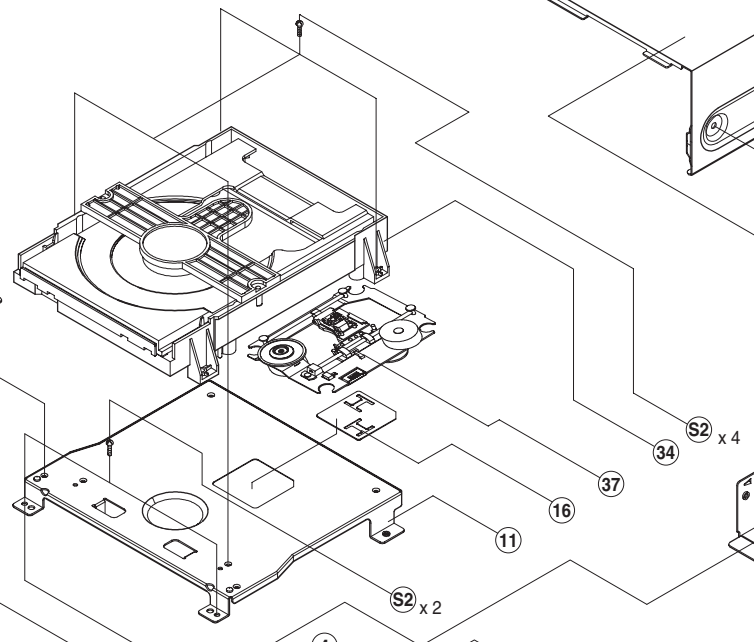
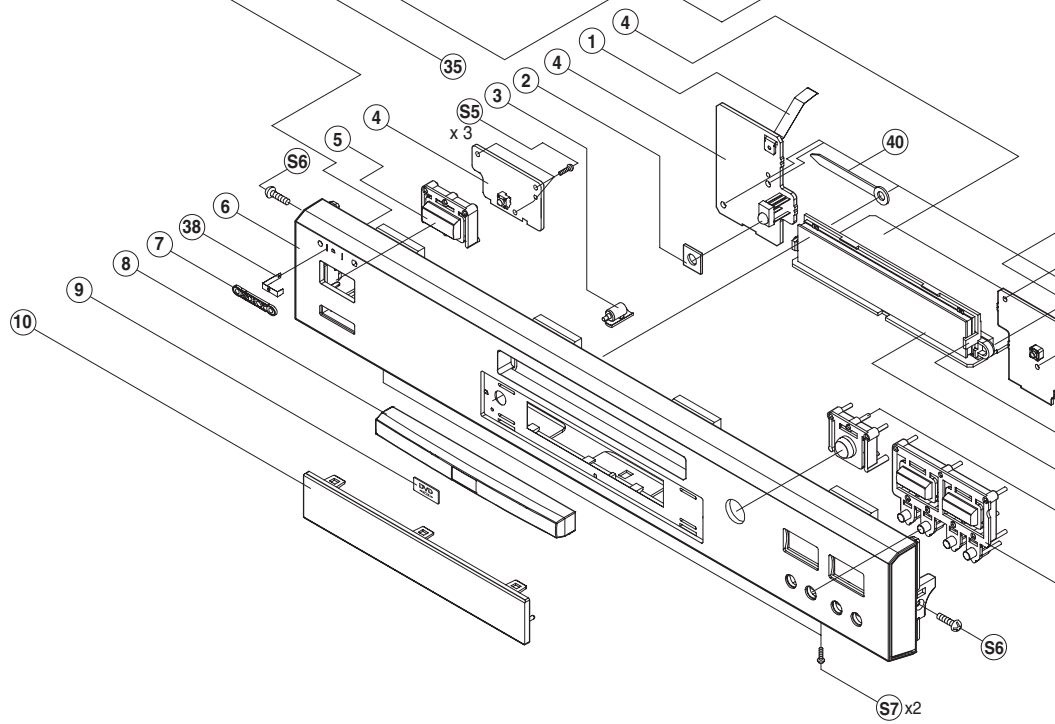


Fig-1

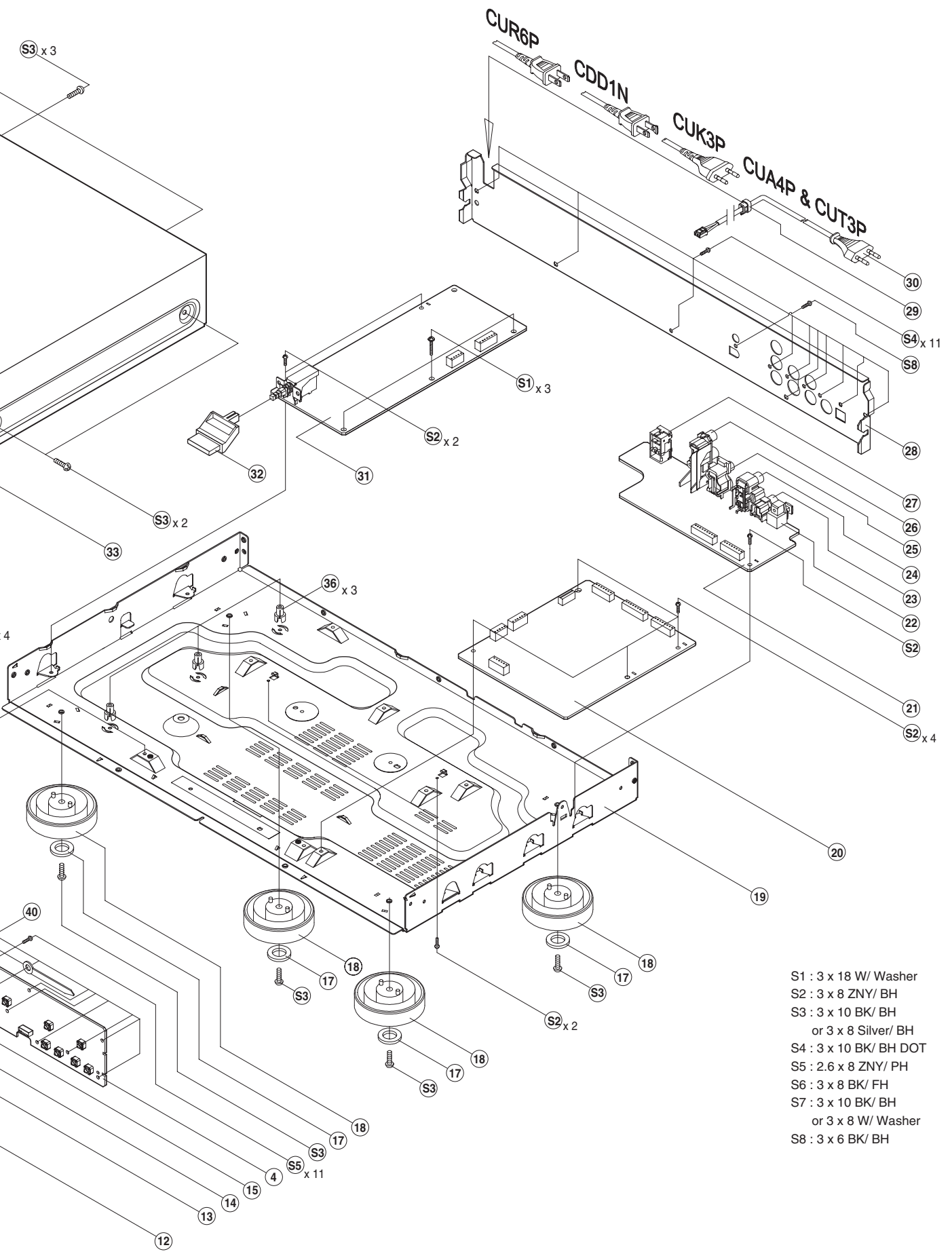


A**B****C****D****EXPLODED VIEW****1**

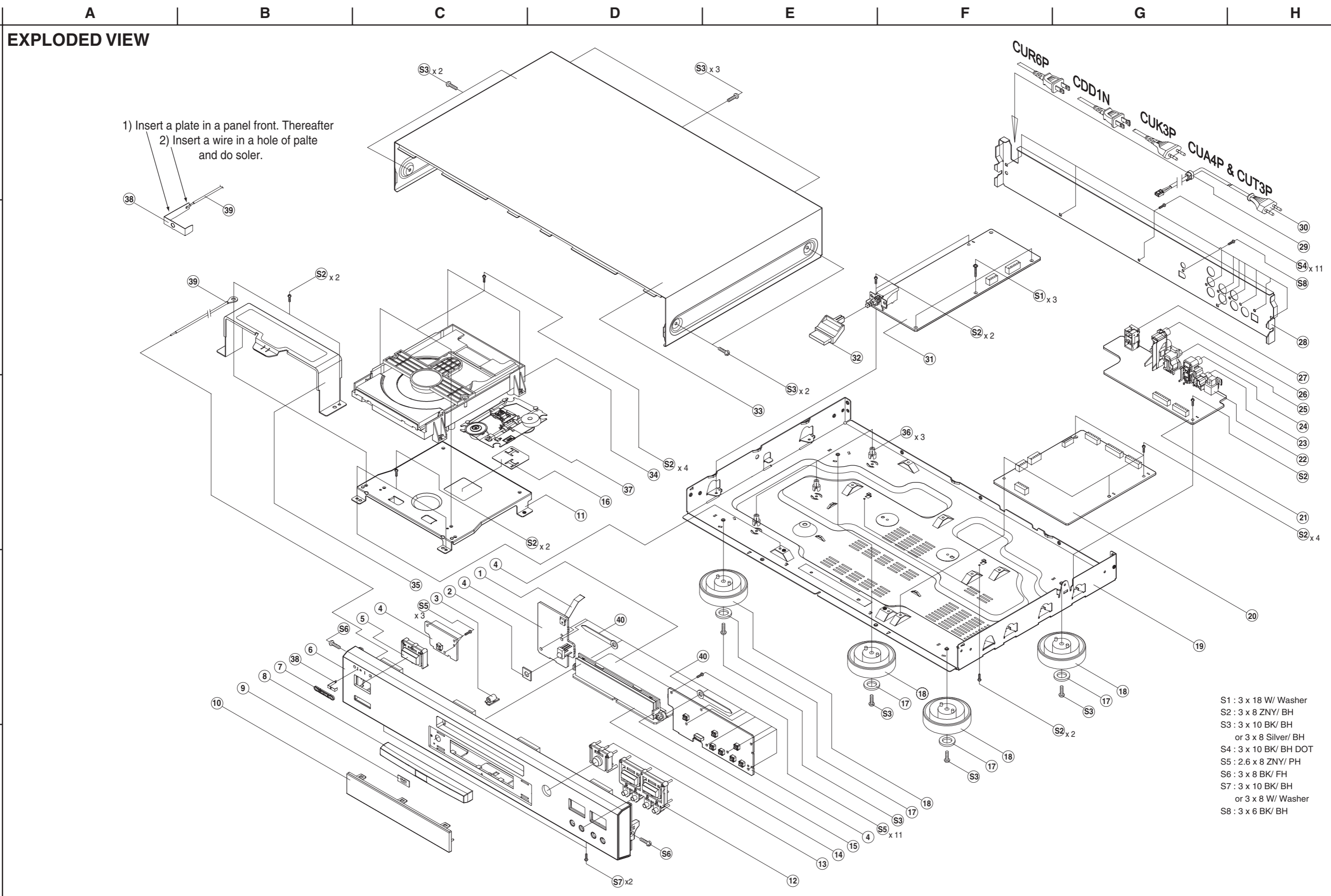
- 1) Insert a plate in a panel front. Thereafter
- 2) Insert a wire in a hole of palte and do soler.

**2****3****4****5**

E F G H

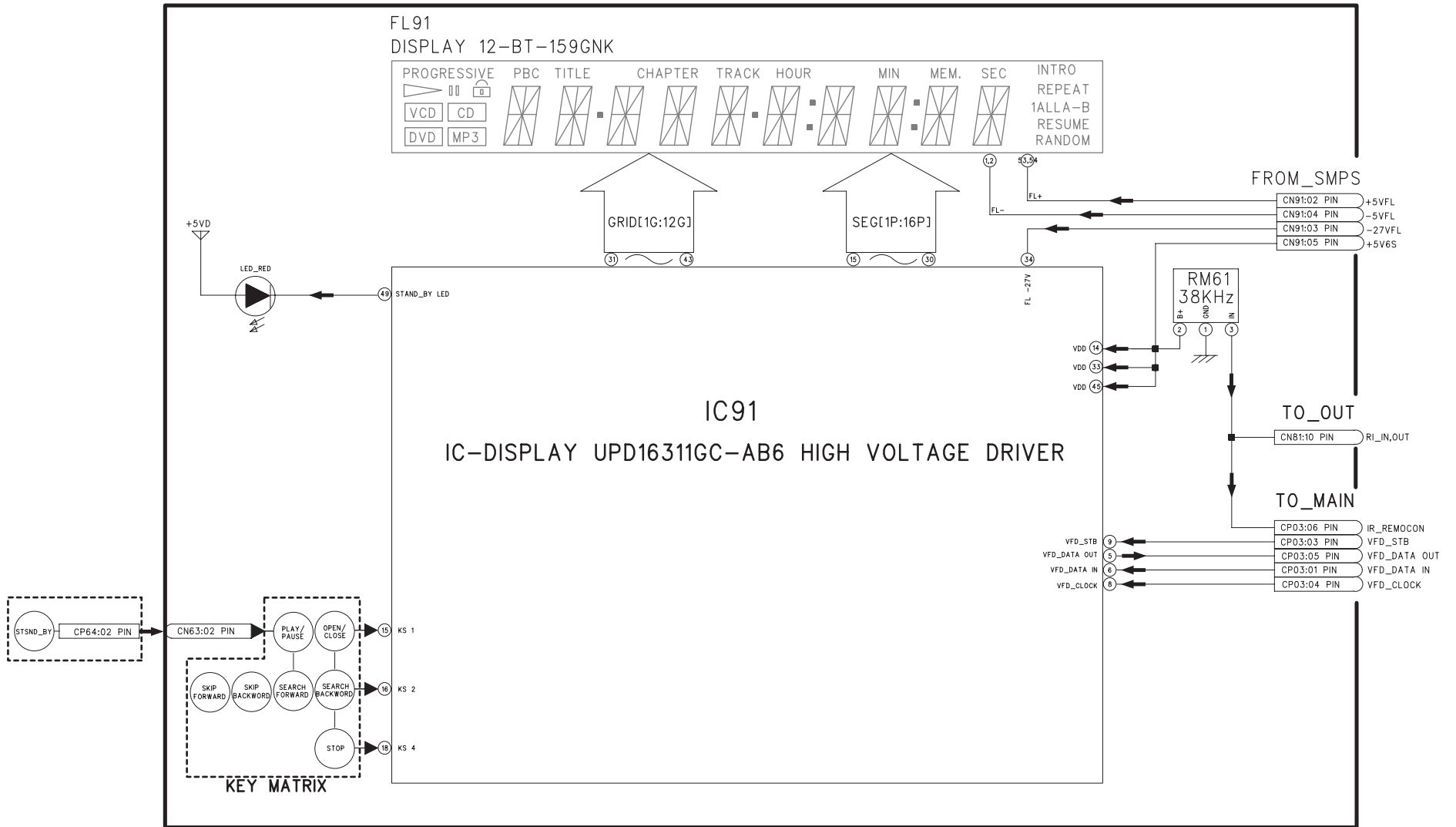


- S1 : 3 x 18 W/ Washer
- S2 : 3 x 8 ZNY/ BH
- S3 : 3 x 10 BK/ BH
or 3 x 8 Silver/ BH
- S4 : 3 x 10 BK/ BH DOT
- S5 : 2.6 x 8 ZNY/ PH
- S6 : 3 x 8 BK/ FH
- S7 : 3 x 10 BK/ BH
or 3 x 8 W/ Washer
- S8 : 3 x 6 BK/ BH

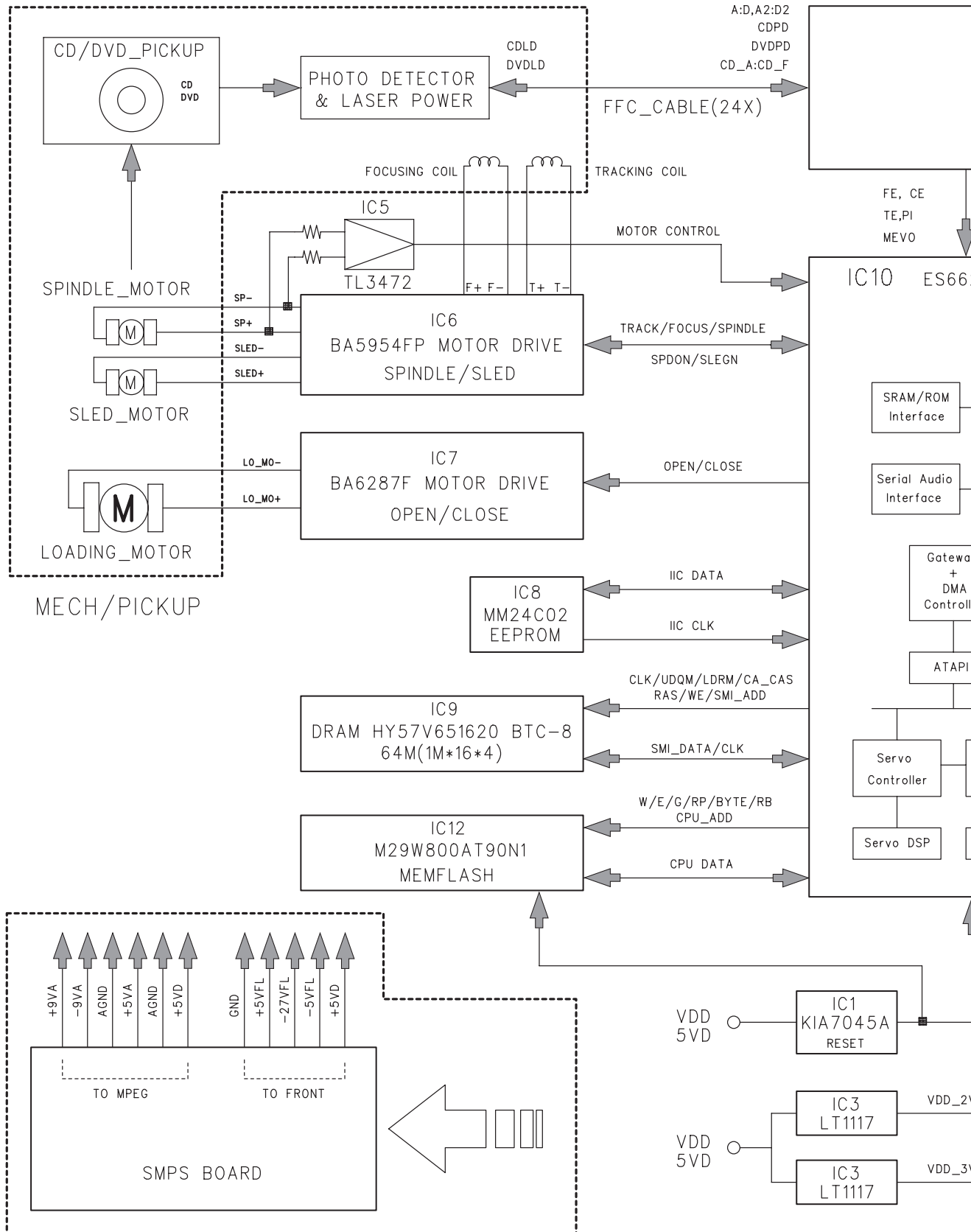


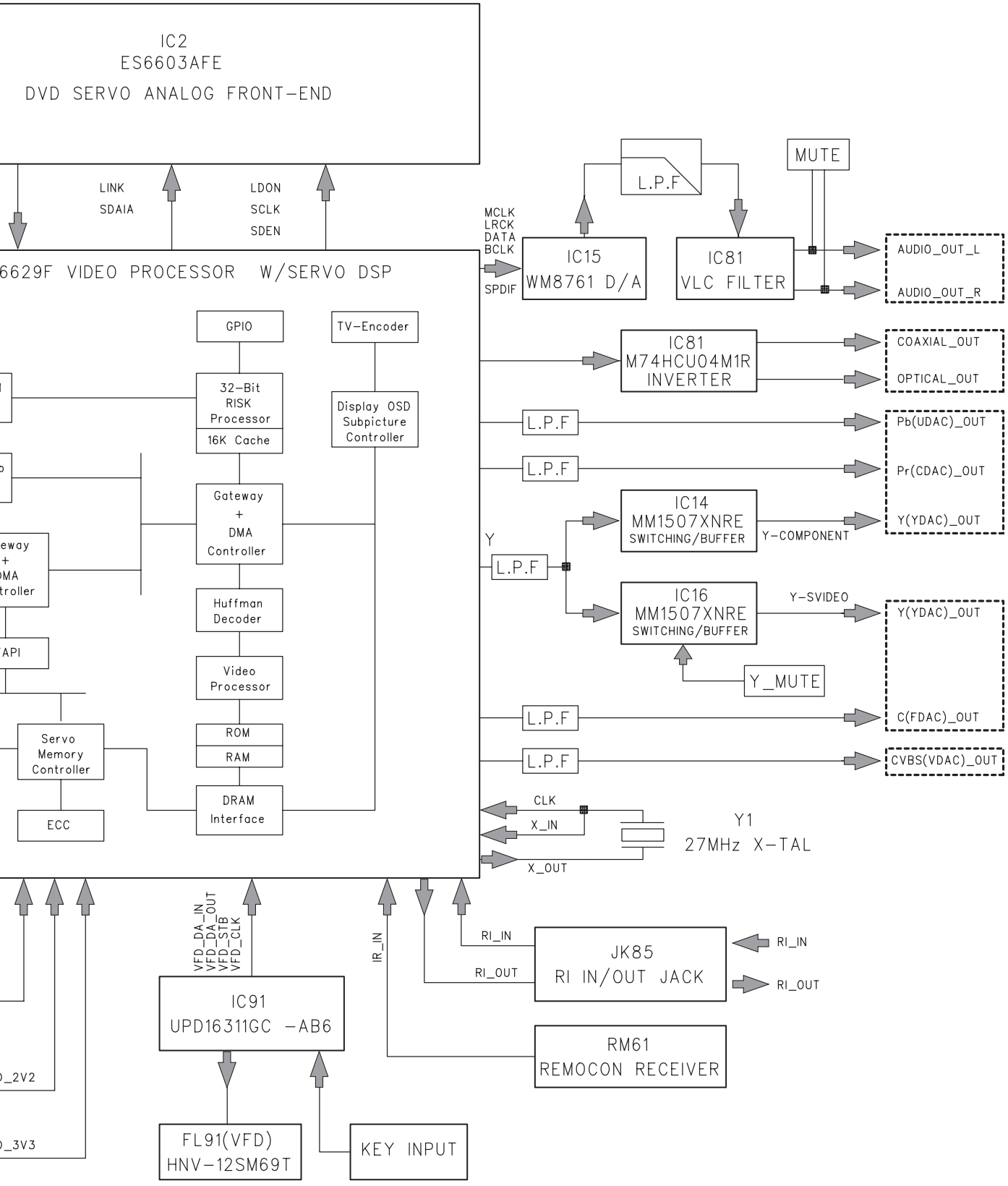
- S1 : 3 x 18 W/ Washer
- S2 : 3 x 8 ZNY/ BH
- S3 : 3 x 10 BK/ BH
or 3 x 8 Silver/ BH
- S4 : 3 x 10 BK/ BH DOT
- S5 : 2.6 x 8 ZNY/ PH
- S6 : 3 x 8 BK/ FH
- S7 : 3 x 10 BK/ BH
or 3 x 8 W/ Washer
- S8 : 3 x 6 BK/ BH

BLOCK DIAGRAM FRONT DISPLAY SECTION

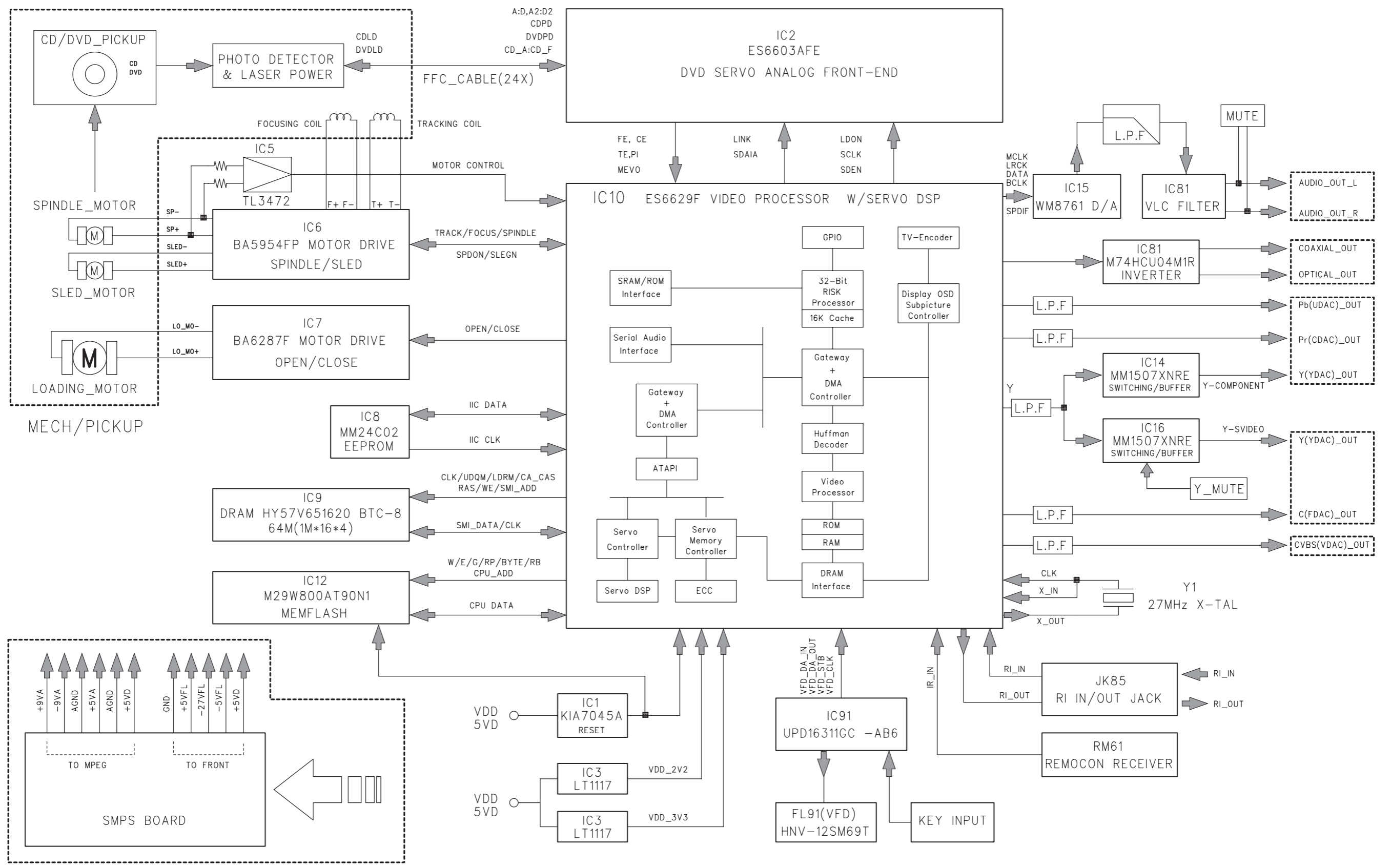


BLOCK DIAGRAM OVERALL





BLOCK DIAGRAM OVERALL

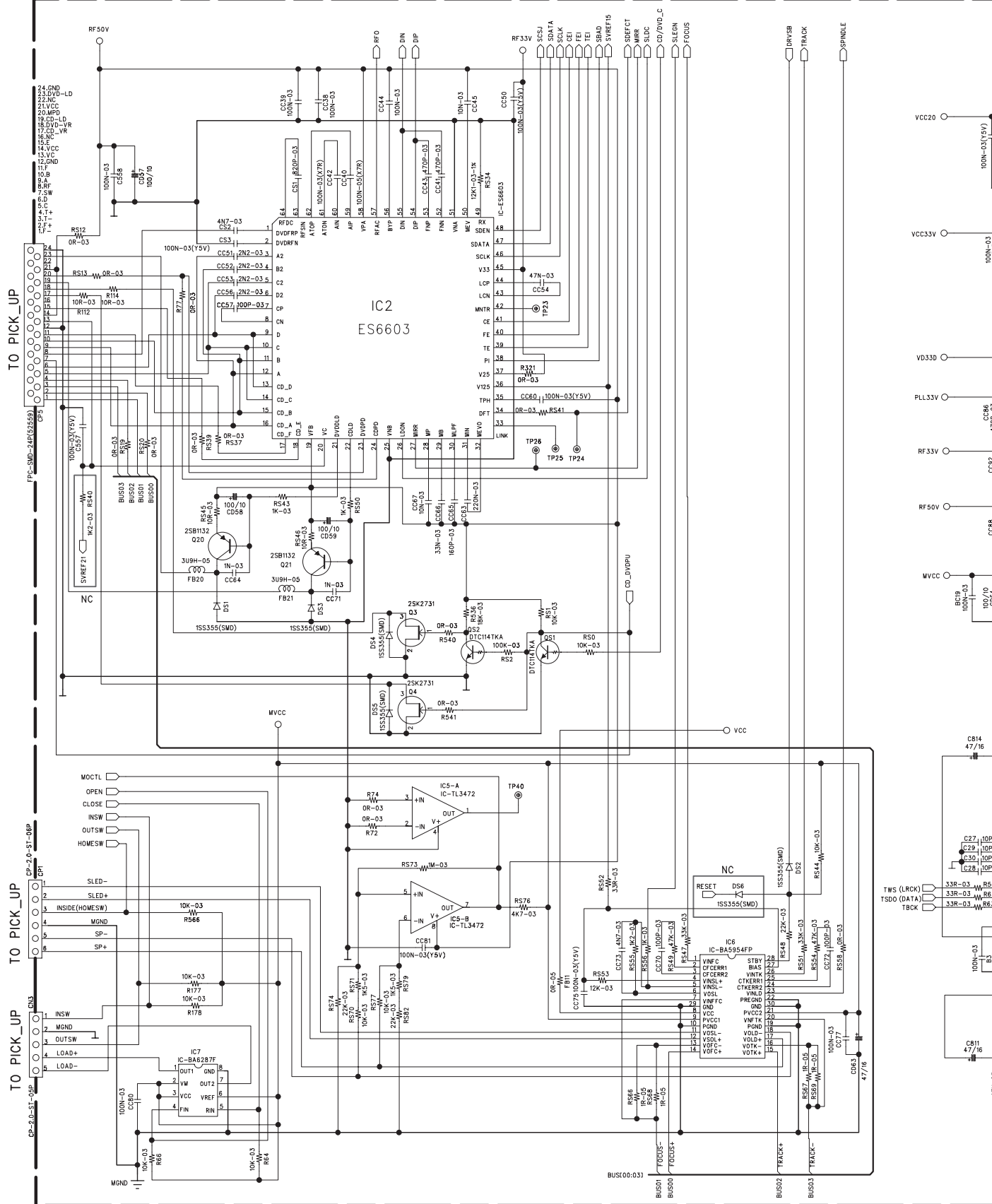


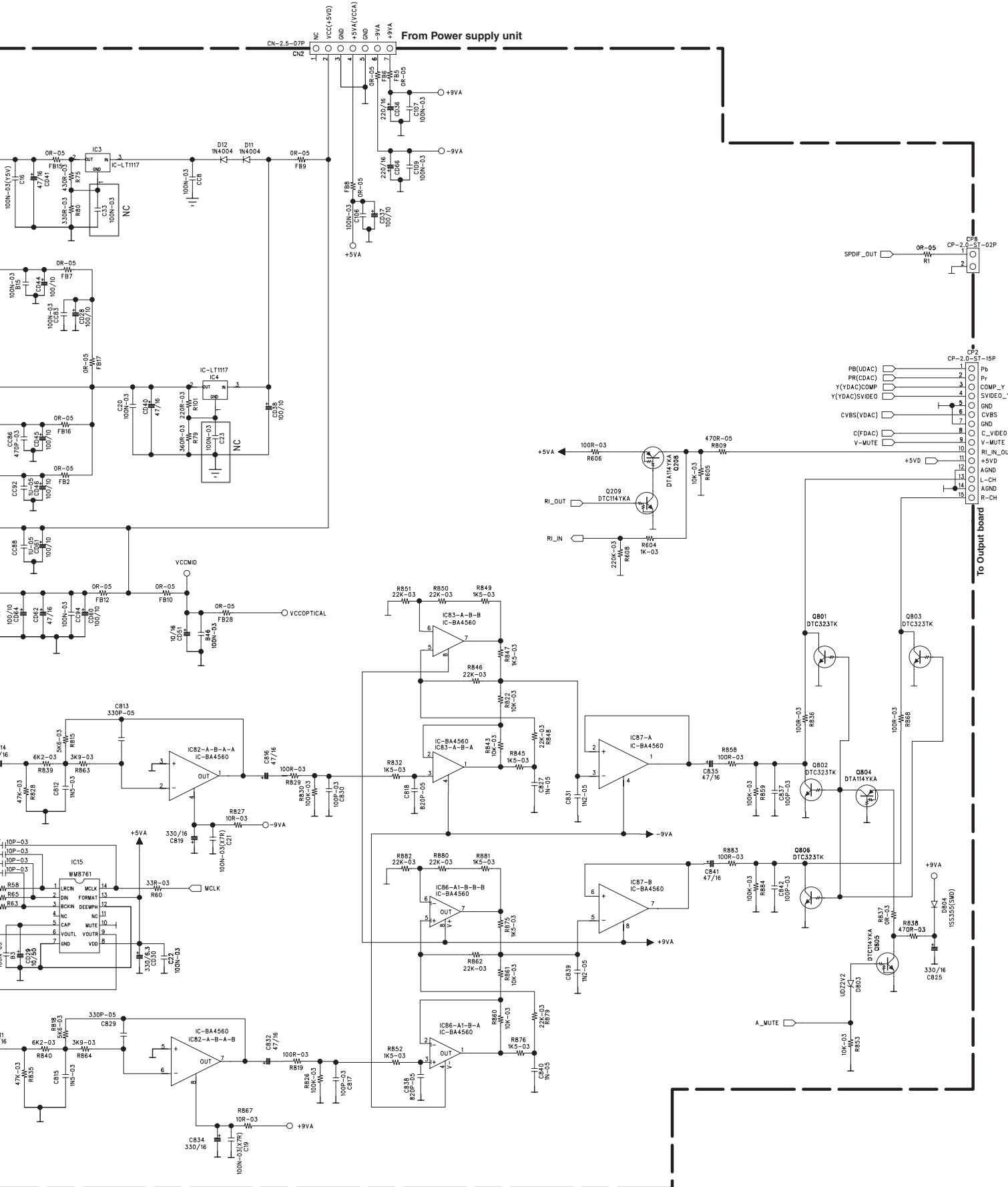
A B C D

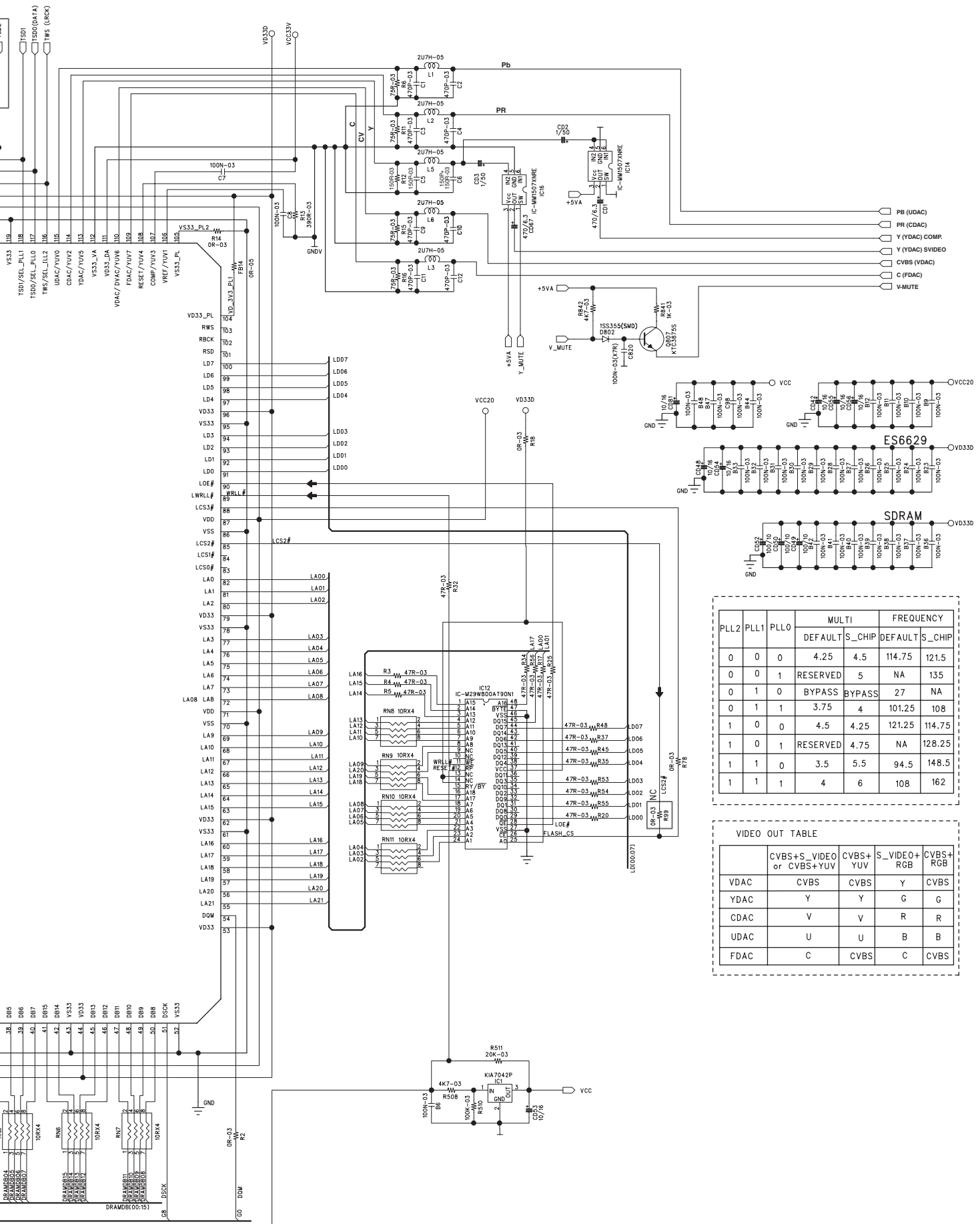
SCHEMATIC DIAGRAM

U20: DVD MAIN CIRCUIT BOARD-2/2

1
2
3
4
5







PLL2	PLL1	PLL0	MULTI		FREQUENCY	
			DEFAULT	S_CHIP	DEFAULT	S_CHIP
0	0	0	4.25	4.5	114.75	121.5
0	0	1	RESERVED	5	NA	135
0	1	0	BYPASS	BYPASS	27	NA
0	1	1	3.75	4	101.25	108
1	0	0	4.5	4.25	121.25	114.75
1	0	1	RESERVED	4.75	NA	128.25
1	1	0	3.5	5.5	94.5	148.5
1	1	1	4	6	108	162

	CVBS+S_VIDEO or CVBS+YUV	CVBS+ YUV	S_VIDEO+ RGB	CVBS+ RGB
VDAC	CVBS	CVBS	Y	CVBS
YDAC	Y	Y	G	G
CDAC	V	V	R	R
UDAC	U	U	B	B
FDAC	C	CVBS	C	CVBS

A

B

C

D

SCHEMATIC DIAGRAM

U4: FRONT DISPLAY PC BOARD

U4-1: FL TUBE PC BOARD

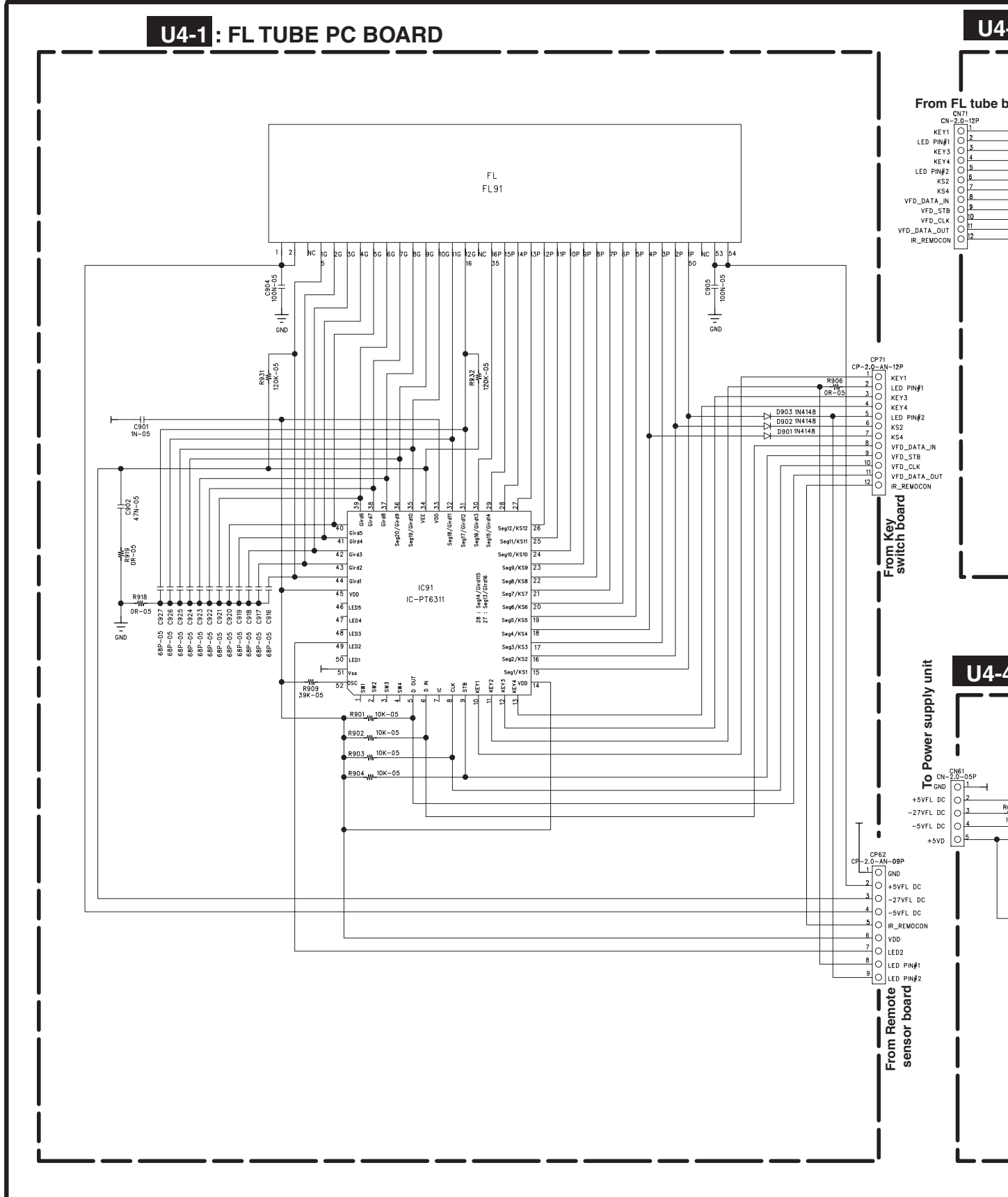
1

2

3

4

5



From FL tube board

- CN71 CN-2.0-AN-12P
- KEY1
- LED PIN#1
- KEY3
- KEY4
- LED PIN#2
- KS2
- KS4
- VFD_DATA_IN
- VFD_STB
- VFD_CLK
- VFD_DATA_OUT
- IR_REMOCON

From Key switch board

- CP71 CP-2.0-AN-12P
- KEY1
- LED PIN#1
- KEY3
- KEY4
- LED PIN#2
- KS2
- KS4
- VFD_DATA_IN
- VFD_STB
- VFD_CLK
- VFD_DATA_OUT
- IR_REMOCON

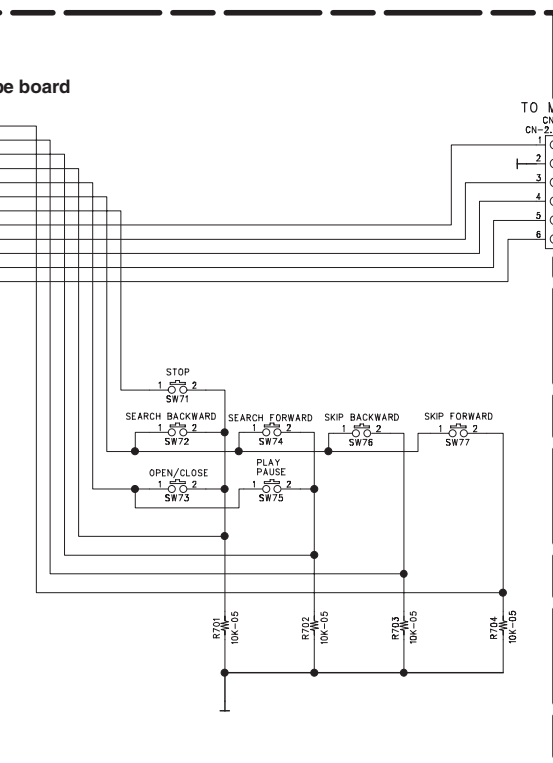
To Power supply unit

- CN61 CN-2.0-OSP
- GND
- +5VFL DC
- 27VFL DC
- 5VFL DC
- +5VD

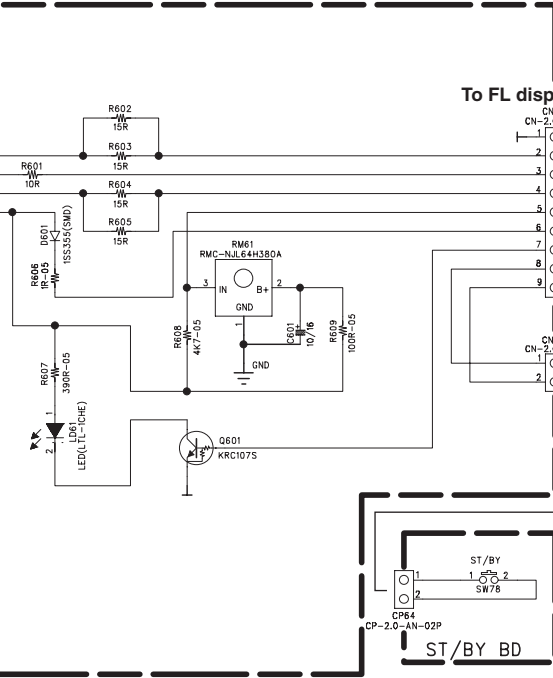
From Remote sensor board

- CFE2 CF-2.0-AN-08P
- GND
- +5VFL DC
- 27VFL DC
- 5VFL DC
- IR_REMOCON
- VDD
- LED2
- LED PIN#1
- LED PIN#2

U4-2 : KEY SWITCH PC BOARD

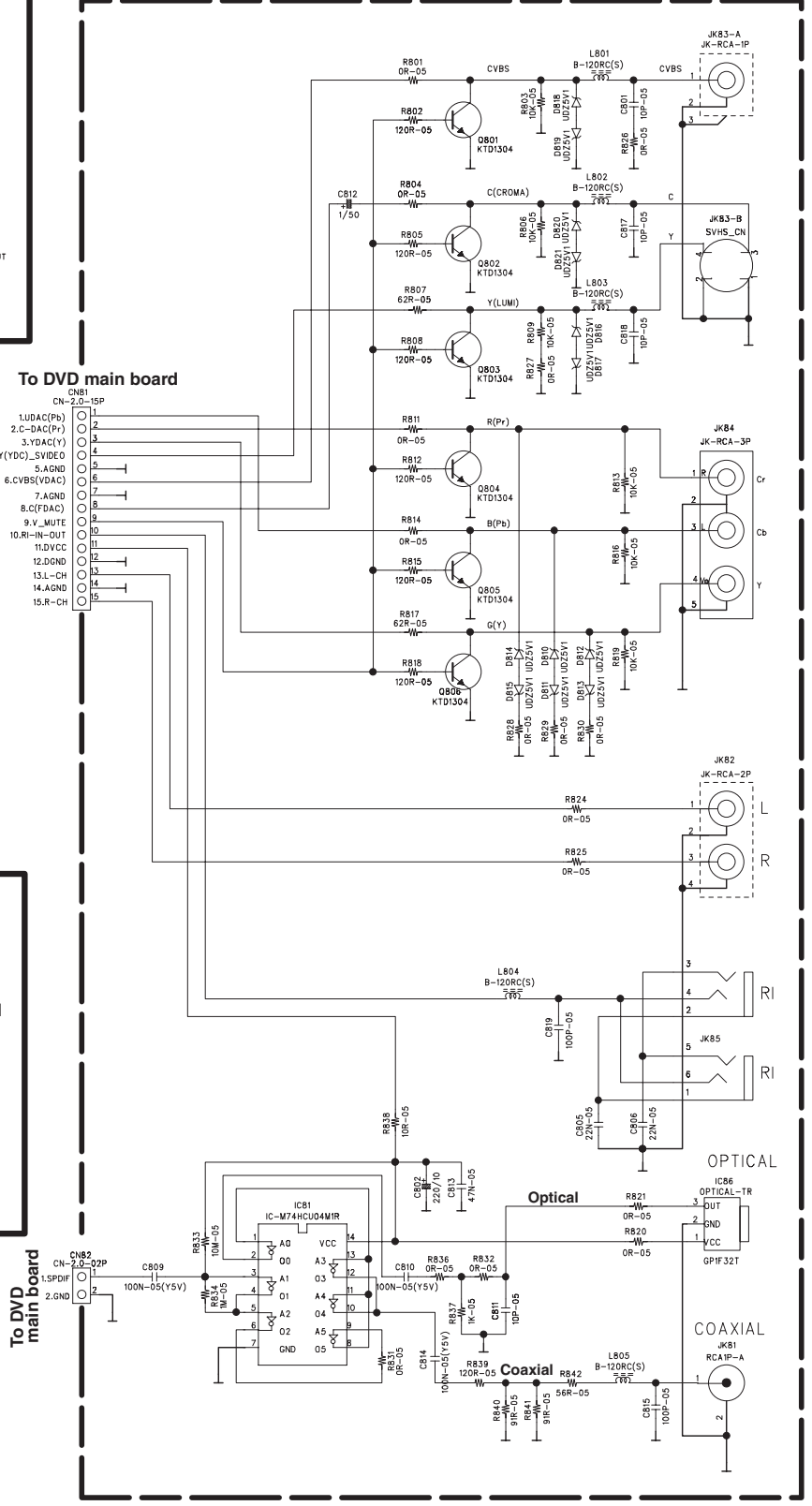


U4-4 : REMOTE SENSOR PC BOARD



U4-3 : STANDBY SWITCH PC BOARD

U21 : OUTPUT TERMINAL PC BOARD



SCHEMATIC DIAGRAM

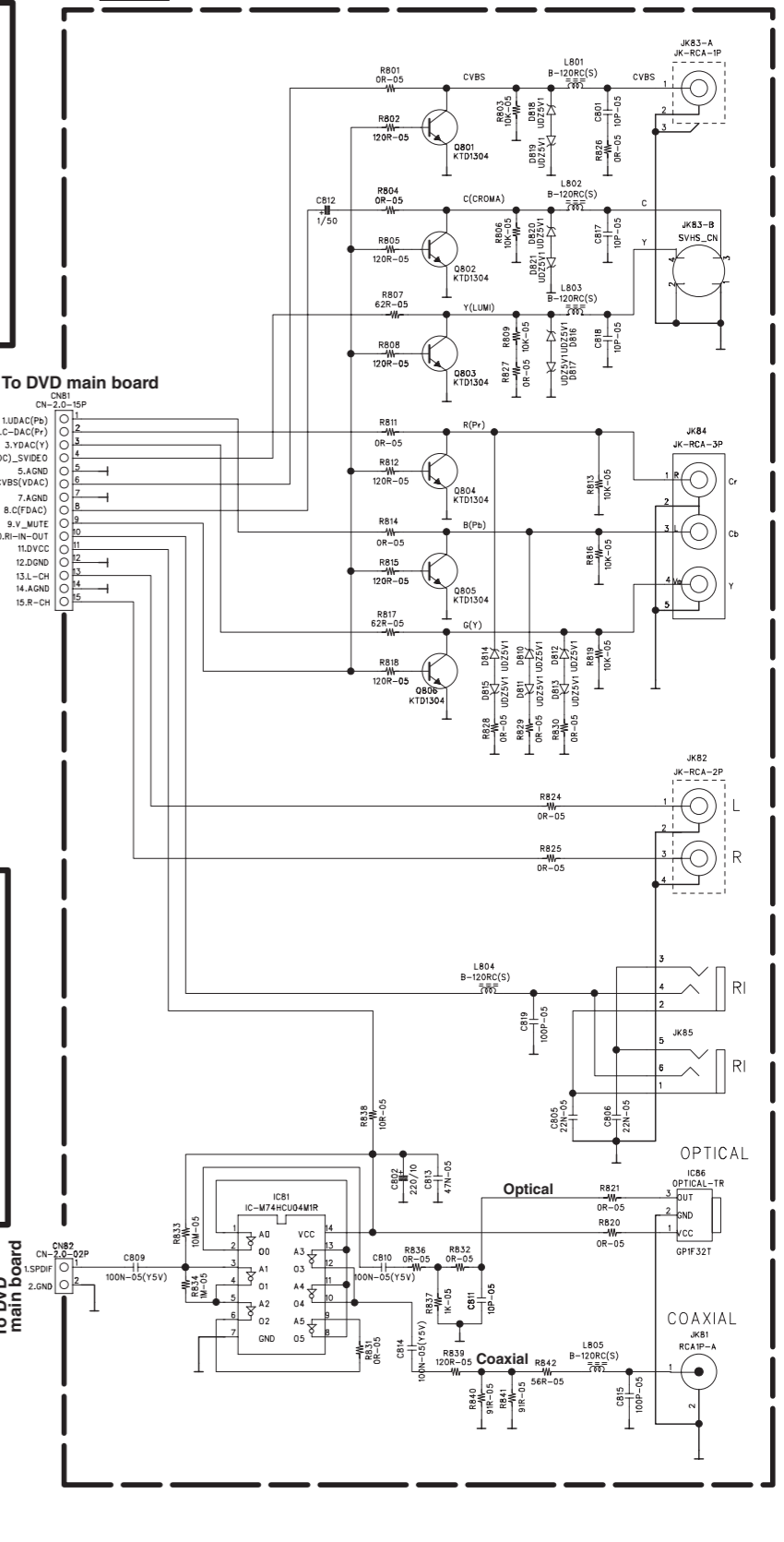
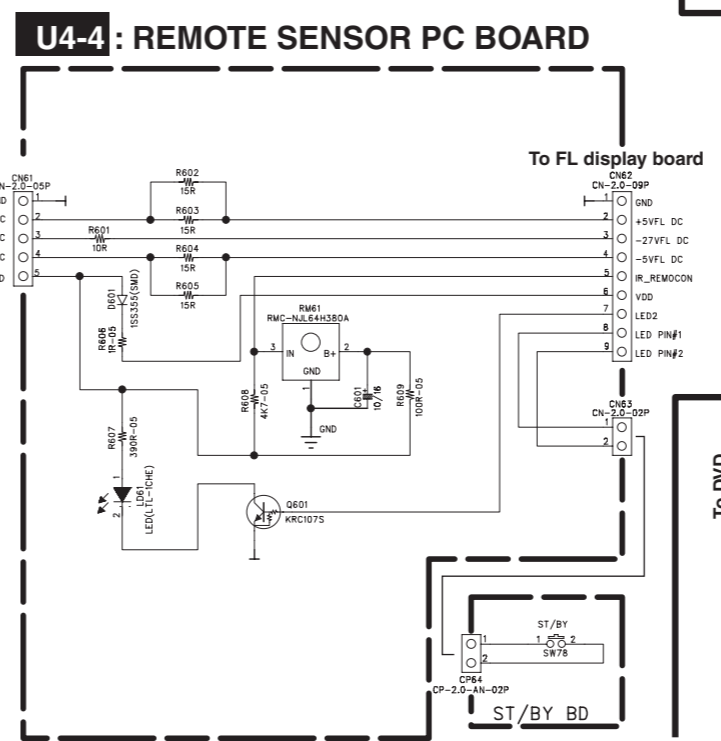
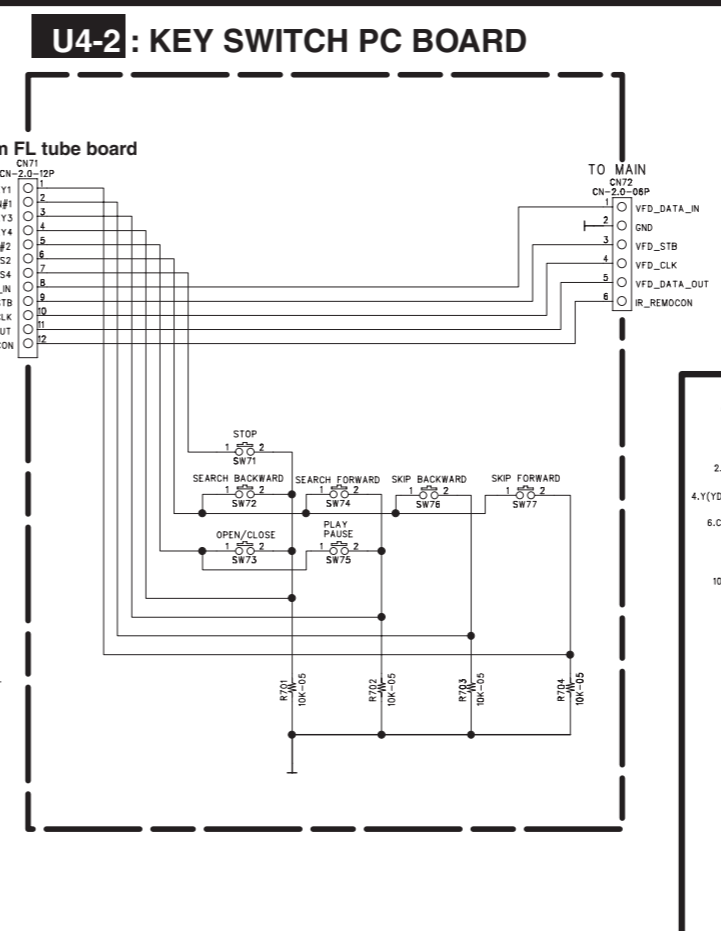
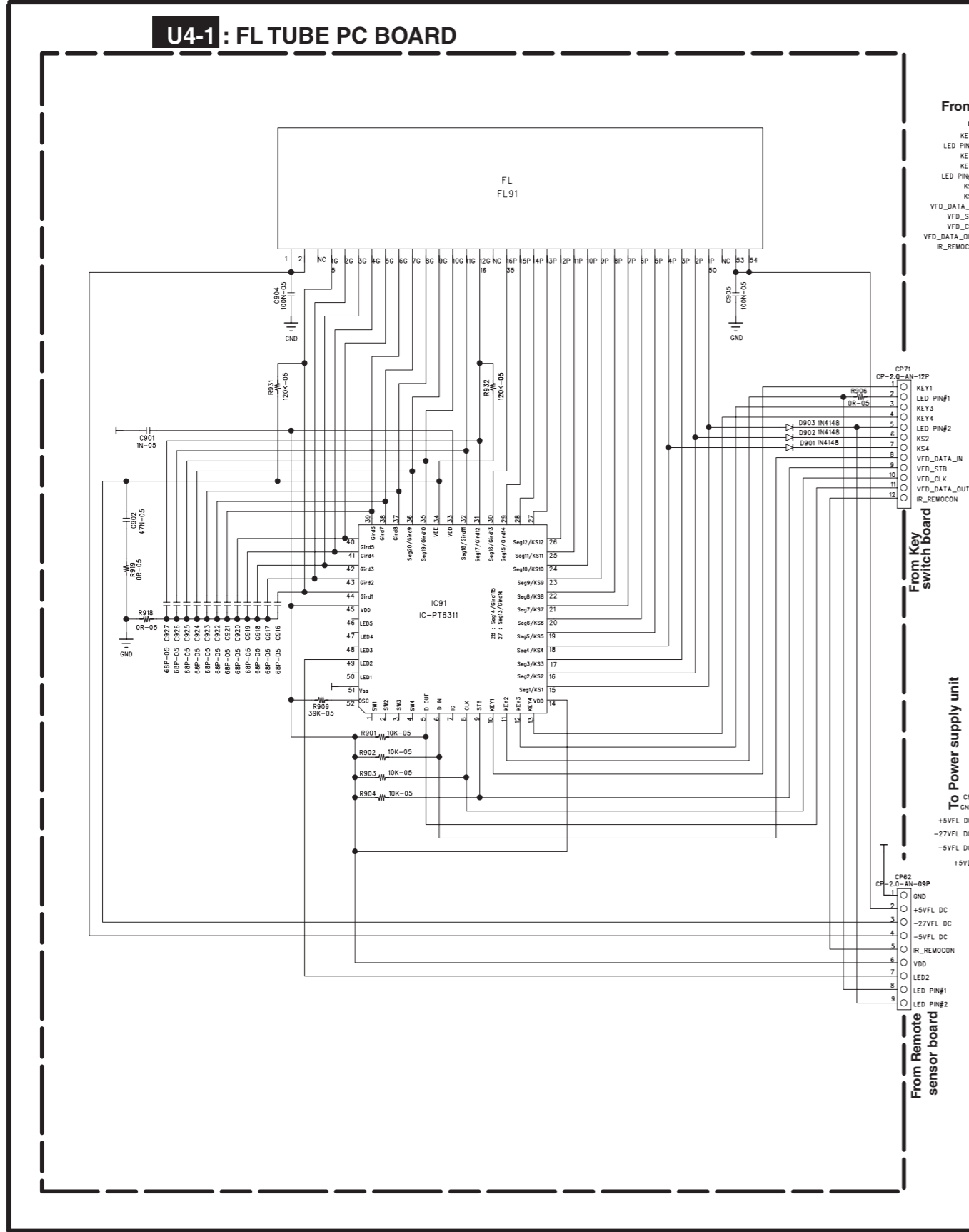
U4 : FRONT DISPLAY PC BOARD

U21 : OUTPUT TERMINAL PC BOARD

1
2
3
4
5

U4-1 : FL TUBE PC BOARD

U4-2 : KEY SWITCH PC BOARD



U4-3 : STANDBY SWITCH PC BOARD

SCHEMATIC DIAGRAM

U20: DVD MAIN CIRCUIT BOARD-2/2

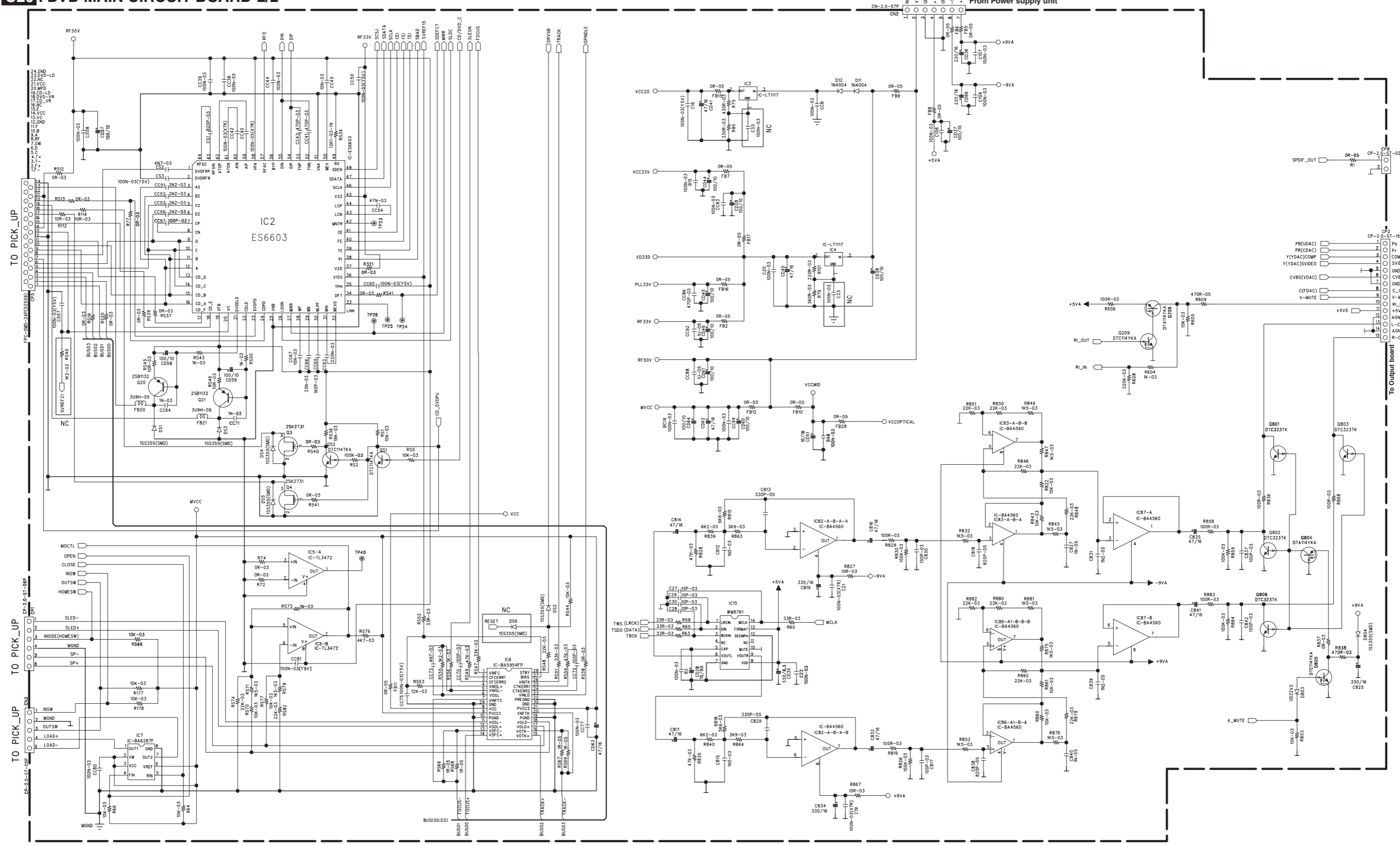
1

2

3

4

5



TO PICK_UP

TO PICK_UP

TO PICK_UP

To Output board

From Power supply unit

SCHEMATIC DIAGRAM U20: DVD MAIN CIRCUIT PC BOARD-2/2

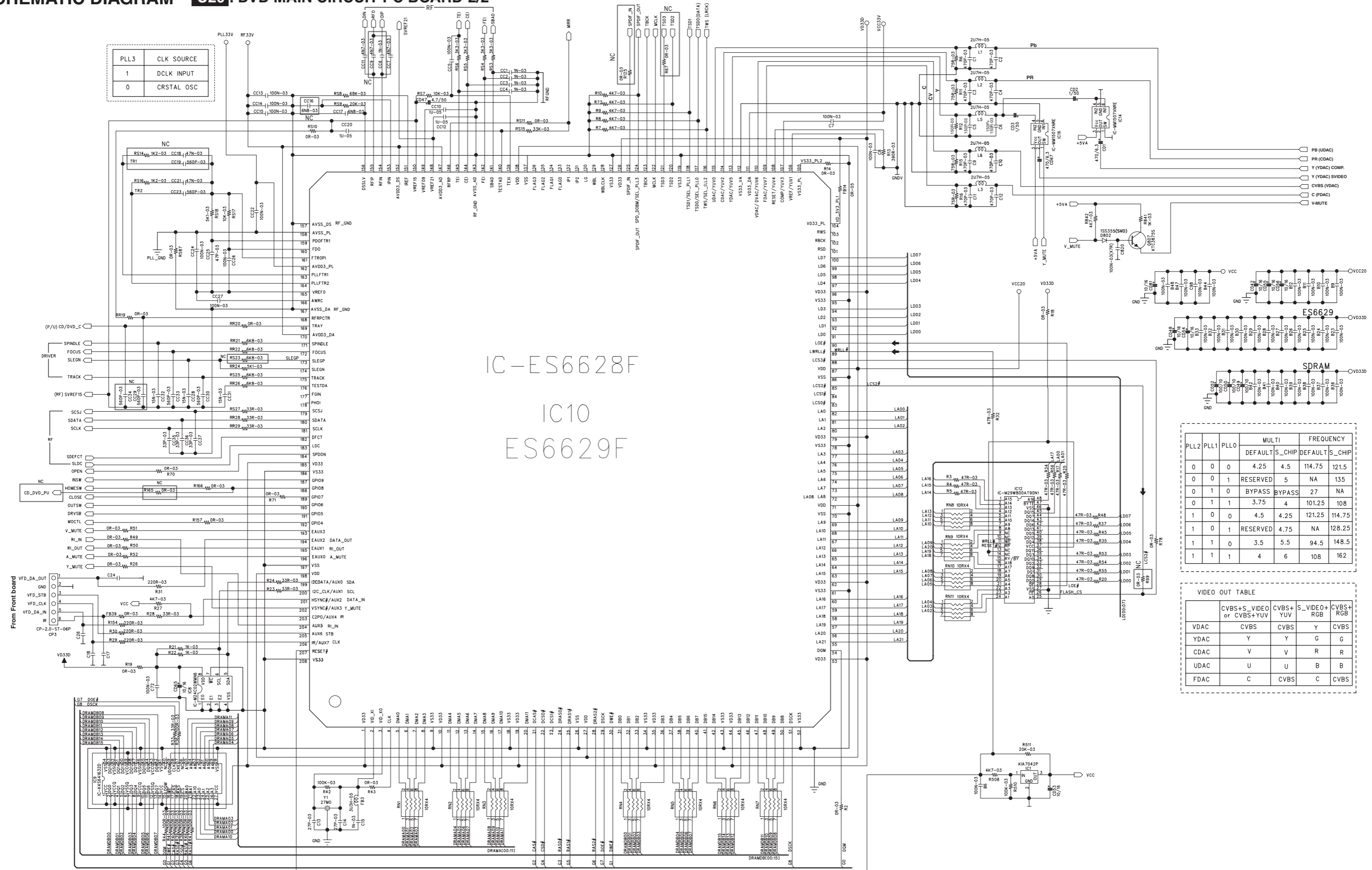
1

2

3

4

5

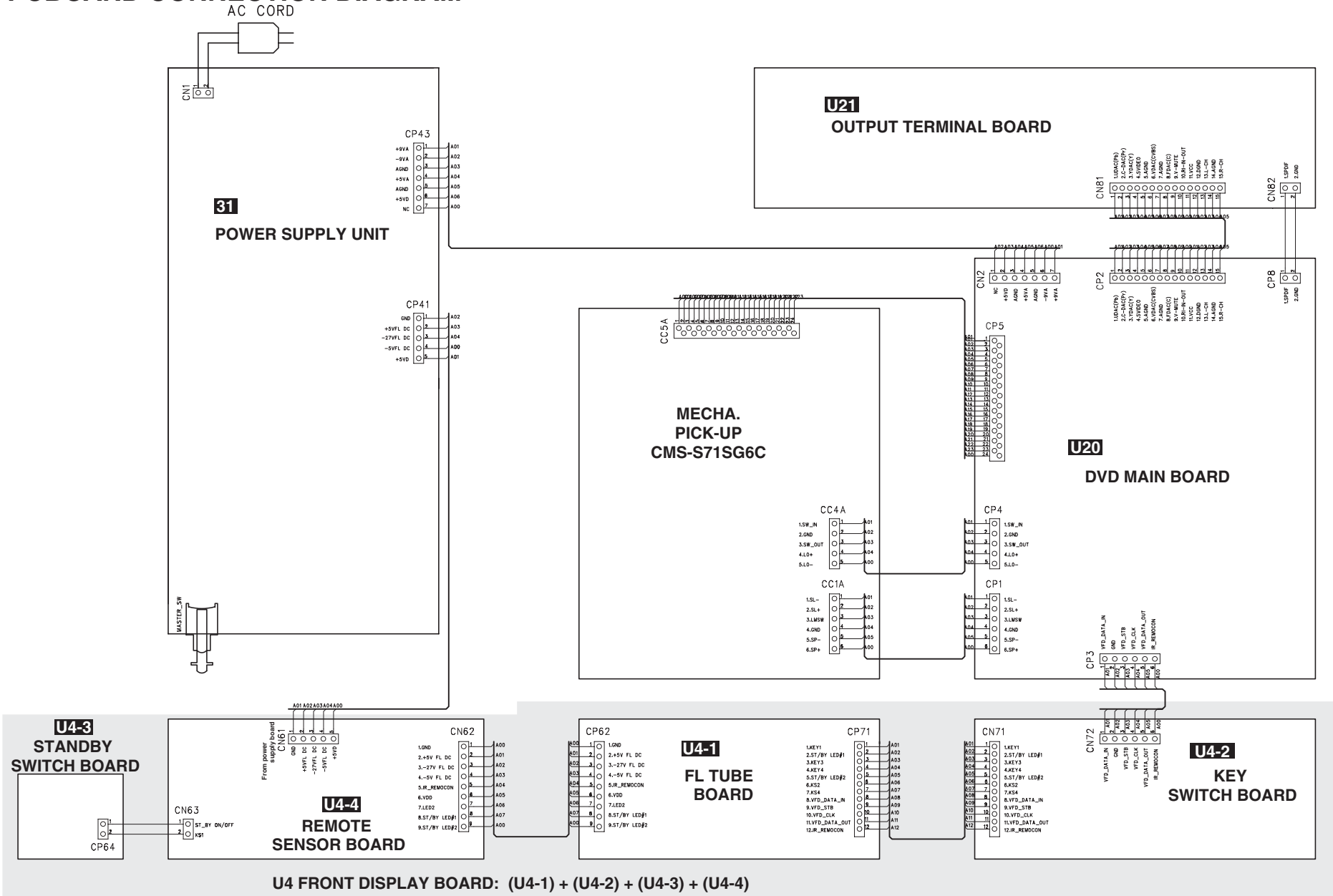


IC-E56628F
IC10
ES6629F

PLL2	PLL1	PLLO	MULTI		FREQUENCY	
			DEFAULT	S_CHIP	DEFAULT	S_CHIP
0	0	0	4.25	4.5	114.75	121.5
0	0	1	RESERVED	5	NA	135
0	1	0	BYPASS	BYPASS	27	NA
0	1	1	3.75	4	101.25	108
1	0	0	4.5	4.25	121.25	114.75
1	0	1	RESERVED	4.75	NA	128.25
1	1	0	3.5	5.5	94.5	148.5
1	1	1	4	6	108	162

VIDEO OUT TABLE				
	CVBS+S_VIDEO or CVBS+YUV	CVBS+ YUV	S_VIDEO+ RGB	CVBS+ RGB
VDAC	CVBS	Y	G	G
YDAC	Y	Y	G	G
CDAC	V	V	R	R
UDAC	U	U	B	B
FDAC	C	CVBS	C	CVBS

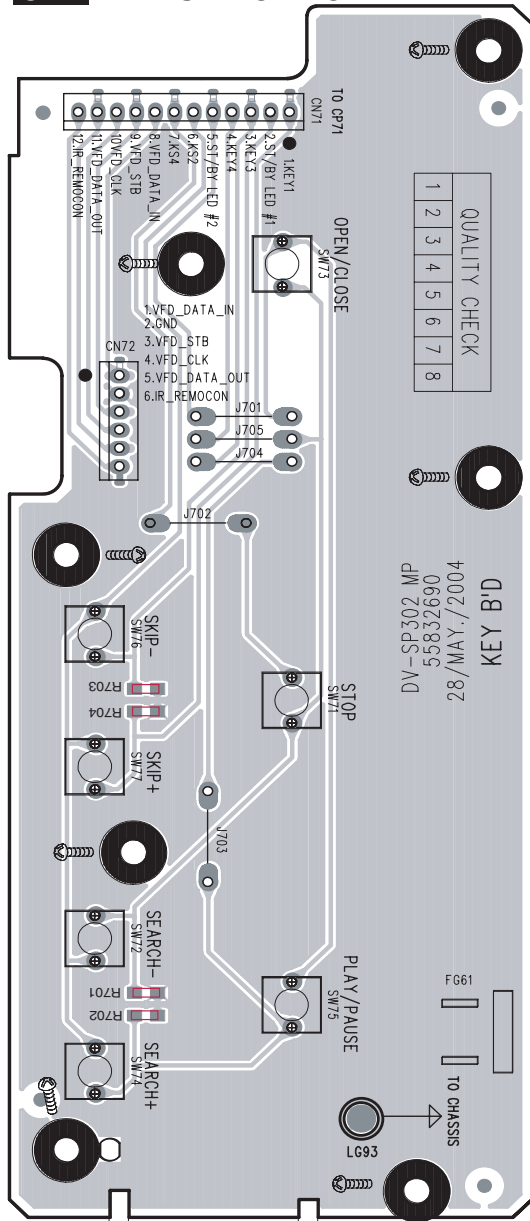
PCBOARD CONNECTION DIAGRAM



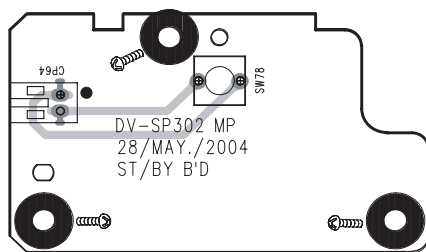
PRINTED CIRCUIT BOARD VIEW FROM COMPONENT SIDE-3

U4 : FRONT DISPLAY BOARD

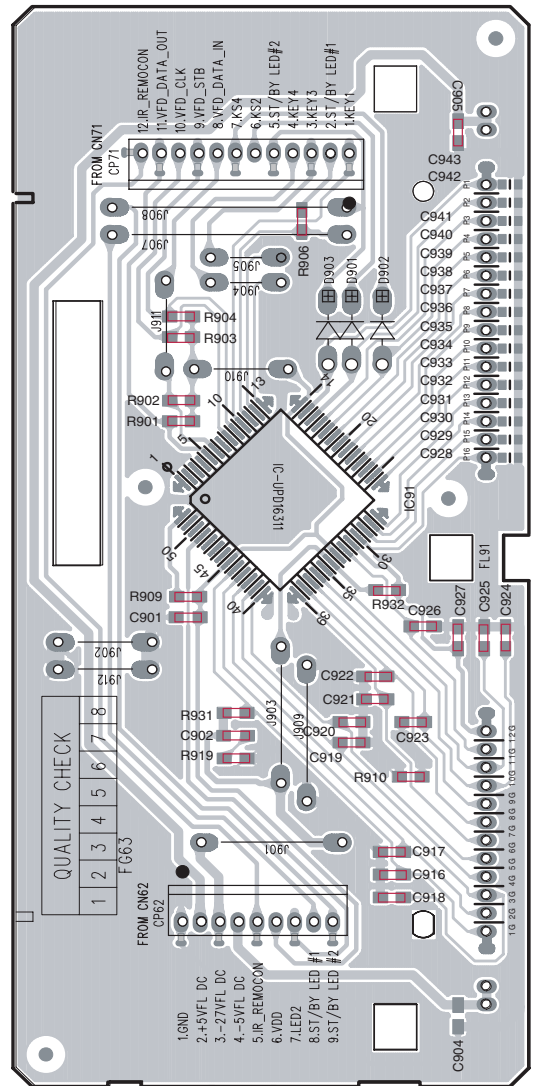
U4-2 : KEY SWITCH BOARD



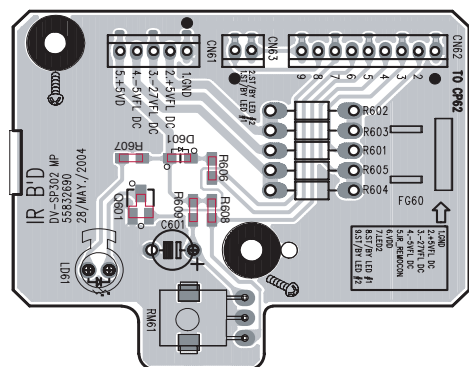
U4-3 : STANDBY SWITCH BOARD



U4-1 : FL TUBE BOARD



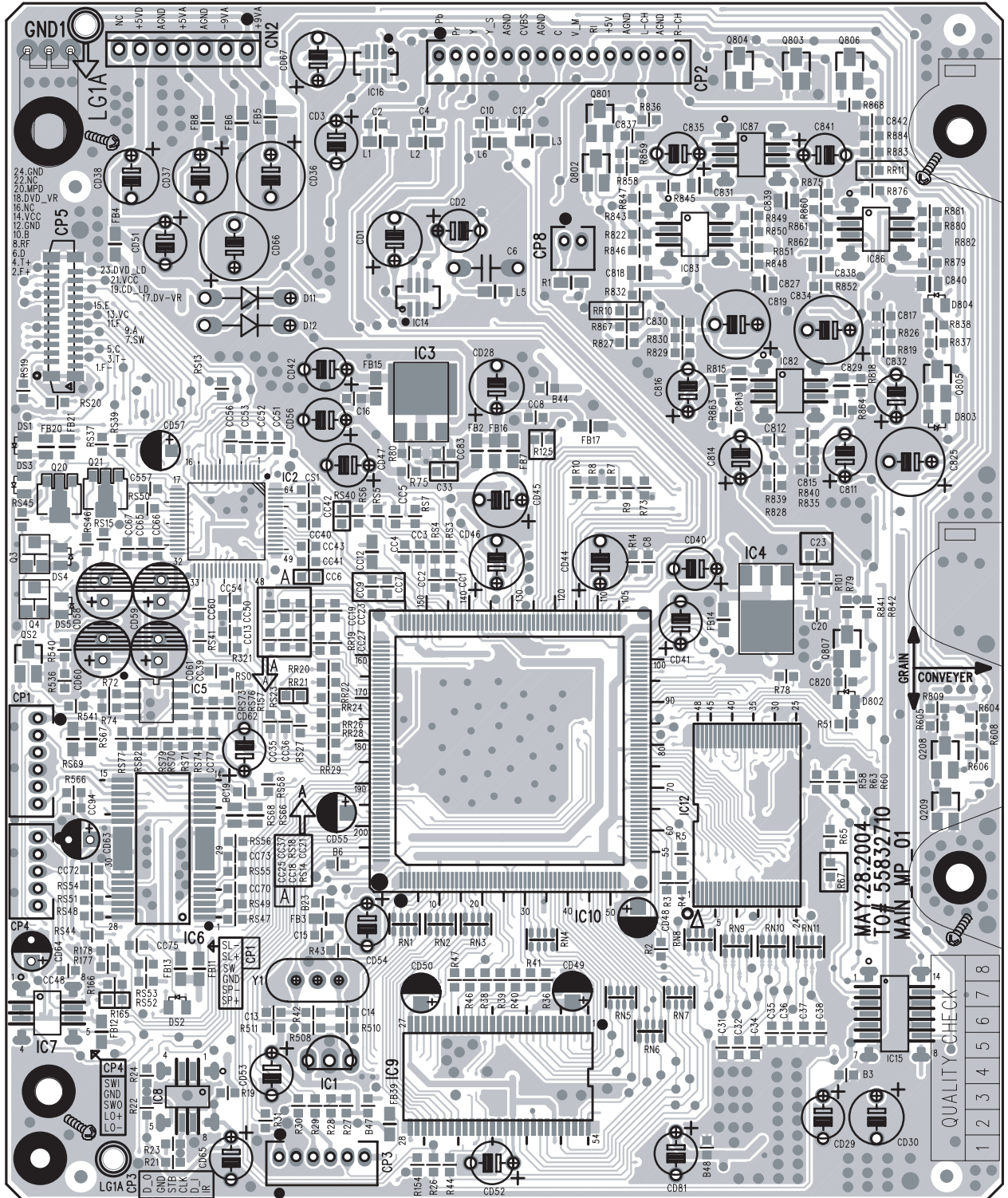
U4-4 : REMOTE SENSOR BOARD



PRINTED CIRCUIT BOARD VIEW-1

U20 DVD MAIN BOARD-1

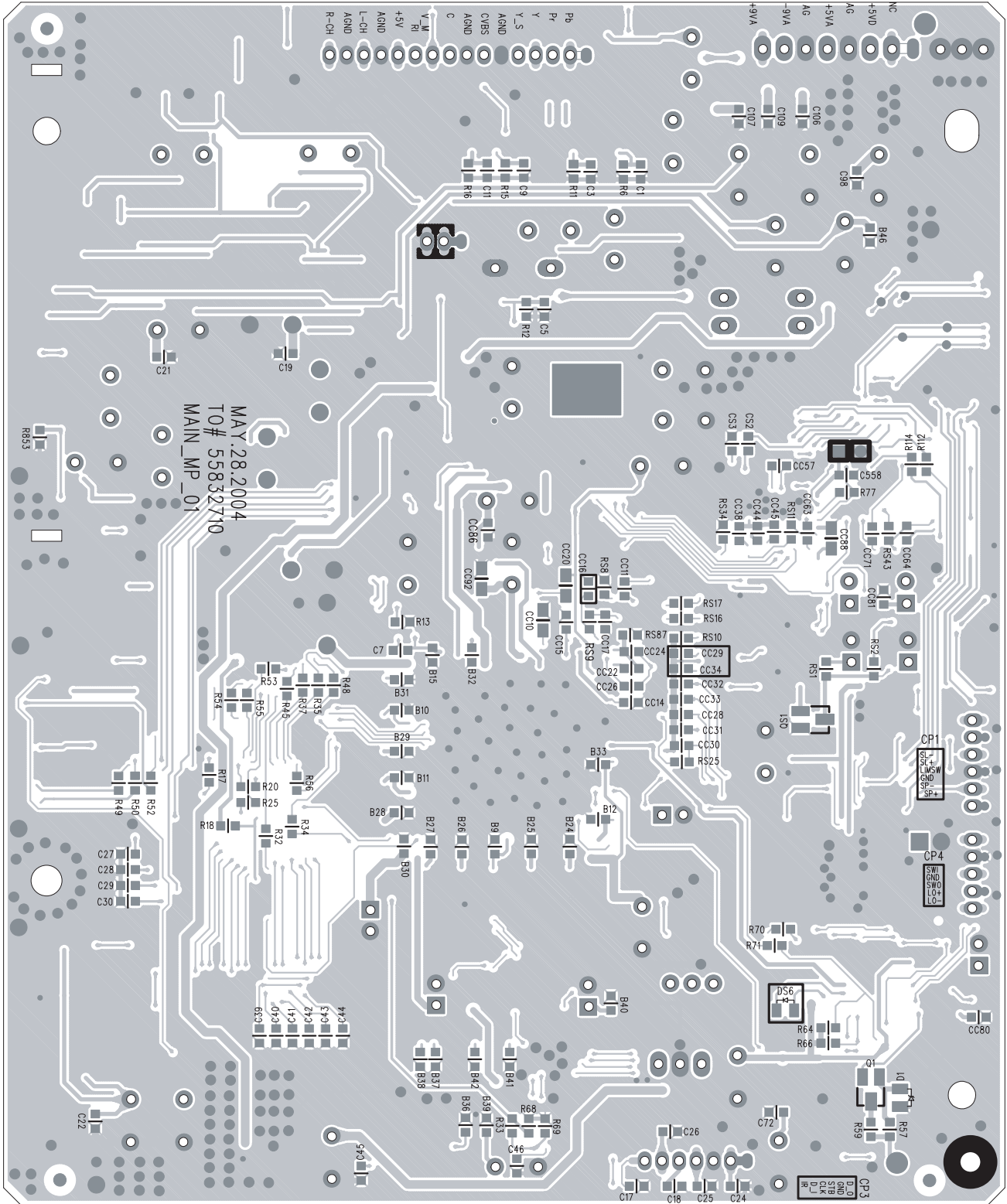
Top view



PRINTED CIRCUIT BOARD VIEW-2

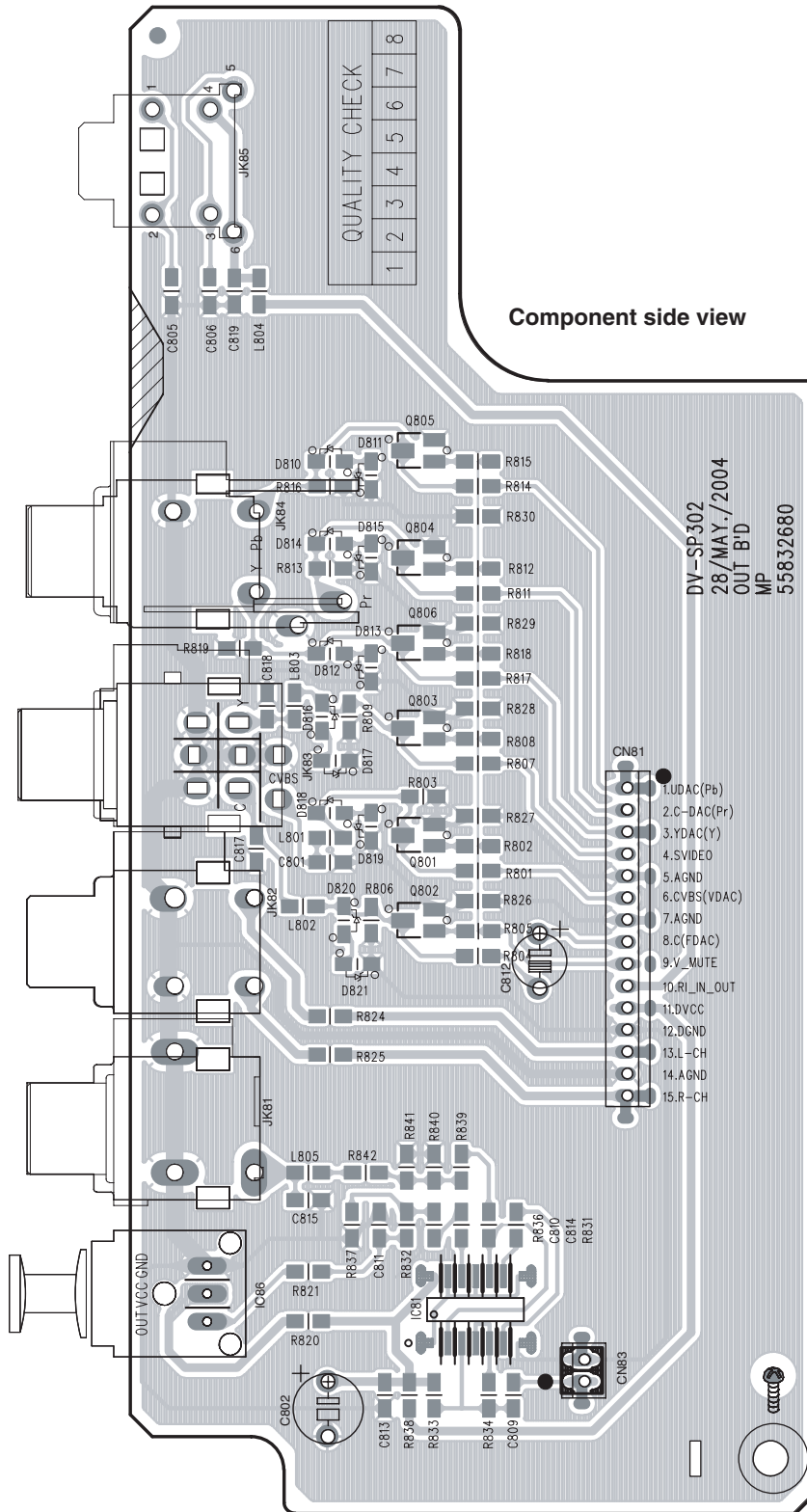
U20 DVD MAIN BOARD-2

Bottom view



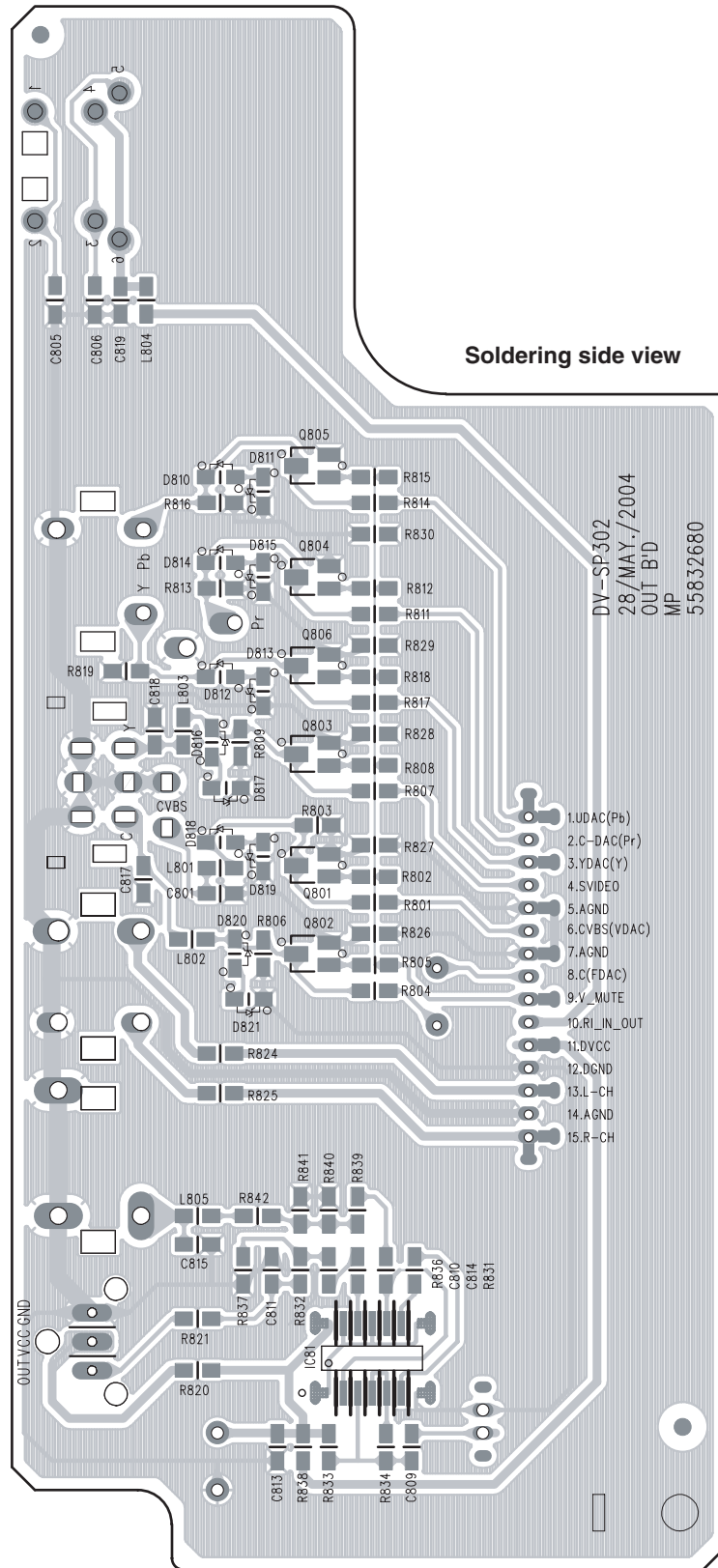
PRINTED CIRCUIT BOARD VIEW FROM SOLDERING SIDE-4

U21 OUTPUT TERMINAL PC BOARD



PRINTED CIRCUIT BOARD VIEW FROM SOLDERING SIDE-5

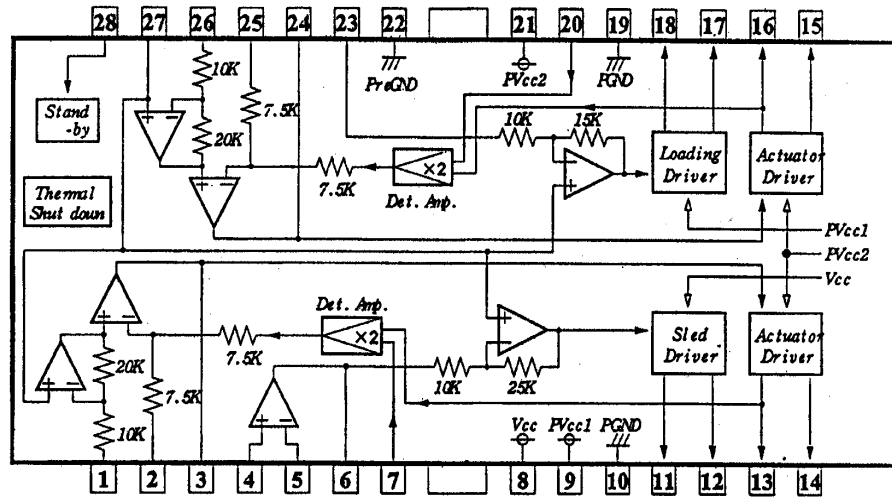
U21 OUTPUT TERMINAL PC BOARD



IC BLOCK DIAGRAM/TERMINAL DESCRIPTION

IC6 : BA5954 MOTOR DROVER

BLOCK DIAGRAM

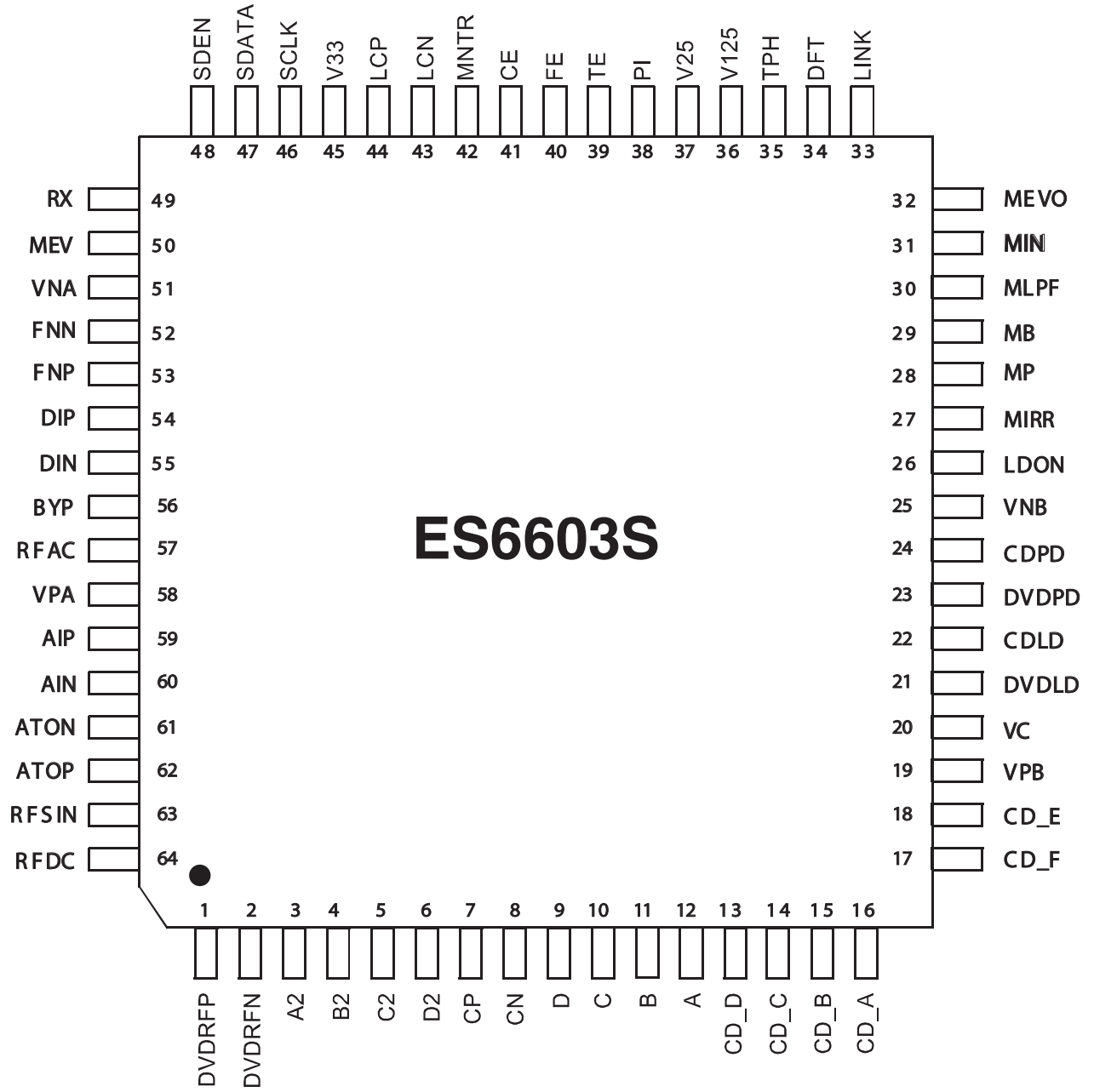


Pin description

No	Symbol	Function	No	Symbol	Function
1	VINFC	Input for focus driver	15	VOTK+	Non inverted output of tracking
2	CFCerr1	Connection with capacitor for error amplifier	16	VOTK-	Inverted output of tracking
3	CFCerr2		17	VOLD+	Non inverted output of loading
4	VINSL+	Non inverting Input for OP- amp	18	VOLD-	Inverted output of loading
5	VINSL-	Inverting input for OP- amp	19	PGND	GND for power block
6	VOSL	Output of OP- amp	20	VNFTK	Feedback for tracking driver
7	VNFFC	Feedback for focus driver	21	PVcc2	Vcc for power block of actuator
8	Vcc	Vcc for pre- drive block and power block of sled	22	PreGND	GND for pre- drive block
9	PVcc1	Vcc for power block of loading	23	VINLD	Input for loading driver
10	PGND	GND for power block	24	CTKerr2	Connection with capacitor for error amplifier
11	VOSL-	Inverted output of sled	25	CTKerr1	
12	VOSL+	Non inverted output of sled	26	VINTK	Input for tracking driver
13	VOFC-	Inverted output of focus	27	BIAS	Input for reference voltage
14	VOFC+	Non inverted output of focus	28	STBY	Input for stand-by control

IC BLOCK DIAGRAM/TERMINAL DESCRIPTION

IC2 : ES6603 DVD SERVO F/E-(1)



IC BLOCK DIAGRAM/TERMINAL DESCRIPTION

IC2 : ES6603 DVD SERVO F/E-(2)

Name	Pin Numbers	I/O	Definition
DVDRFP, DVDRFN	1, 2	I	Differential RF signal attenuator inputs.
A2, B2, C2, D2	3:6	I	AC coupled photo detector interface inputs for the differential phase detector (DPD) from the main beam photo matrix.
CP, CN	7, 8	—	Differential phase tracking low-pass filter pins. Connect CP to CN via capacitors.
D, C, B, A	9:12	I	Photo detector interface inputs from the main beam photo matrix.
CD_D, CD_C, CD_B, CD_A	13:16	I	CD photo detector interface inputs from the main beam photo matrix.
CD_F, CD_E	17, 18	I	CD photo detector interface inputs from the CD side beam photo detector; used for CD tracking detection.
VPB	19	P	Servo block power supply.
VC	20	O	Reference voltage out (VPB/2). Output impedance is less than 50
DVDLD	21	O	DVD APC output; controls laser power for DVD.
CDLD	22	O	CD APC output; controls laser power for CD.
DVDPD	23	I	DVD APC input.
CDPD	24	I	CD APC input.
VNB	25	G	Servo block ground.
LDON	26	I	APC On/Off control. A high level activates LD output. (open is low)
MIRR	27	O	Mirror detect output.
MP, MB	28, 29	I	Mirror top and bottom hold pins. Connected to VPB pin 19 via capacitors.
MLPF	30	I	Mirror low-pass filter pins. Connected to VPB pin 19 via a capacitor.
MIN	31	I	RF input signal for mirror. AC coupled inputs for the mirror detection circuit from MEVO pin 32.
MEVO	32	O	RFDC bottom envelope out. Pull-In or bottom clamped RF envelope signal output for mirror detection.
LINK	33	I,O	Linking Signal In/Mirror Monitor Out. In the linking area, the mirror and tracking error outputs are disabled when this pin goes high. When the monitor output signal is selected by the Control H register, mirror-related signals can be observed.
DFT	34	O	Defect output. When the Pull-In signal level is below the detection level, or when the RF signal level is below the detection level, the DFT output goes high. The defect output is selected by the serial port.
TPH	35	I	Pull-In top hold. Connected to VPB pin 19 via a capacitor.
V125	36	O	1.25V servo block reference voltage output.
V25	37	P	2.5V servo output reference power supply.
PI	38	O	Pull-In signal out. The summing signal output of A, B, C, D, or CD_A, CD_B, CD_C, or CD_D. Reference to V25/3.
TE	39	O	Tracking error output reference to V125 pin 36.
FE	40	O	Focusing error output reference to V125 pin 36.

IC BLOCK DIAGRAM/TERMINAL DESCRIPTION

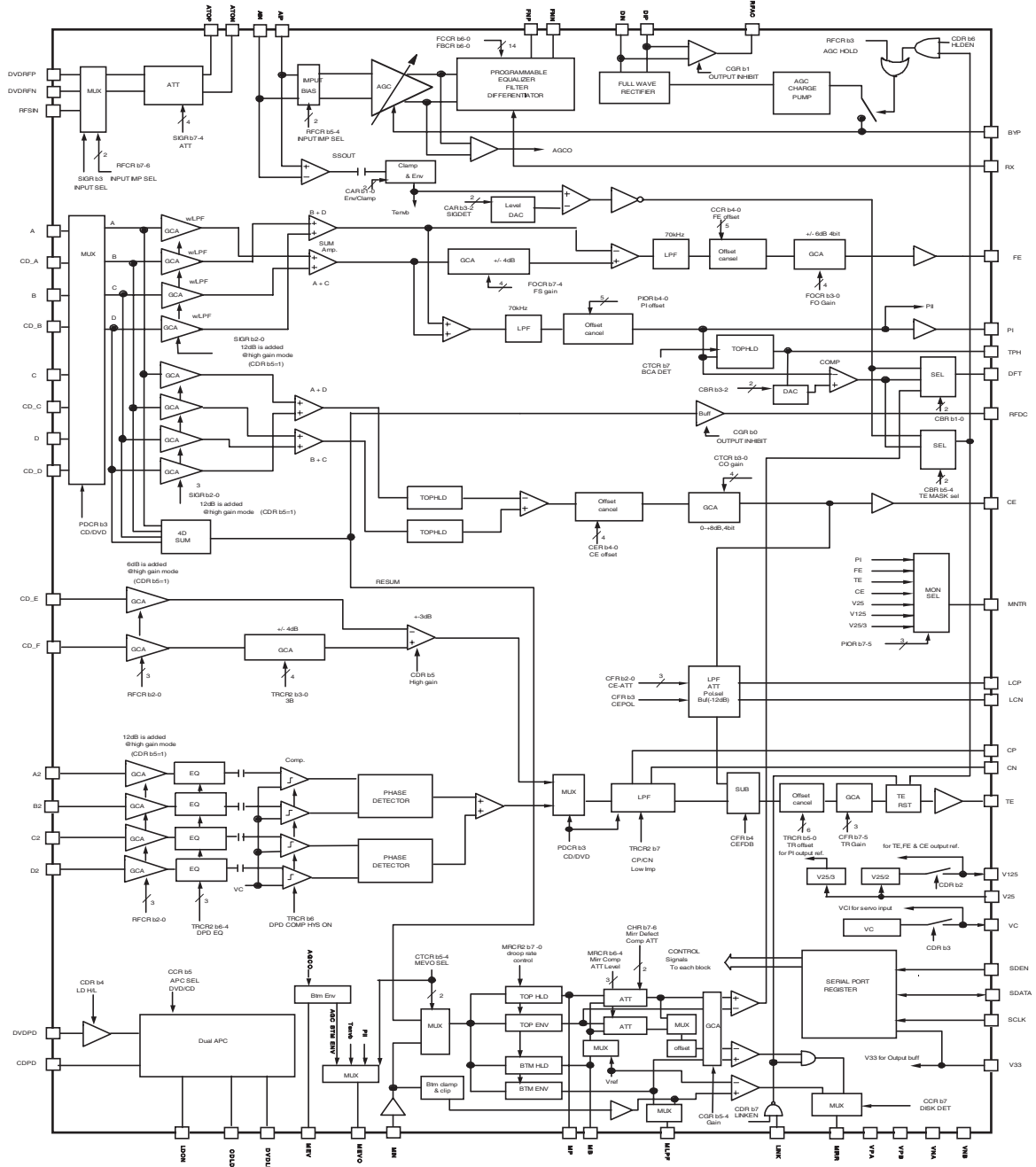
IC2 : ES6603 DVD SERVO F/E-(3)

Name	Pin Numbers	I/O	Definition
CE	41	O	Center error output reference to V125 pin 36.
MNTR	42	O	Monitor out signal. Output is selectable by register settings.
LCN, LCP	43, 44	I	Lens shift offset cancellation low-pass filter pins. Connect LCN to LCP via a capacitor.
V33	45	P	3.3V output buffers power supply.
SCLK	46	I	Serial clock from ES66x8.
SDATA	47	I/O	Serial data I/O.
SDEN	48	I	Serial data enable. Enabled by an active-high signal.
RX	49	I	Reference resistor. Connected to ground via a 12.0k , 1% resistor..
MEV	50	I	RFDC bottom envelope. Connected to VPA pin 58 via a capacitor.
VNA	51	G	RF block and serial port ground.
FNN, FNP	52, 53	O	Differential outputs of equalizer/filter.
DIP, DIN	54, 55	I	Differential analog inputs to the RF single-end output buffer and full wave rectifier.
BYP	56	I	AGC amplifier gain bypass. Tied to VPA via a capacitor.
RFAC	57	O	Single-ended RF output.
VPA	58	P	RF block and serial port power supply.
AIP, AIN	59, 60	I	Differential AGC amplifier inputs.
ATON, ATOP	61, 62	O	Differential attenuator outputs.
RFSIN	63	I	Single-ended RF signal attenuator input.
RFDC	64	O	Single-ended RF summing output.

IC BLOCK DIAGRAM/TERMINAL DESCRIPTION

IC2 : ES6603 DVD SERVO F/E-(4)

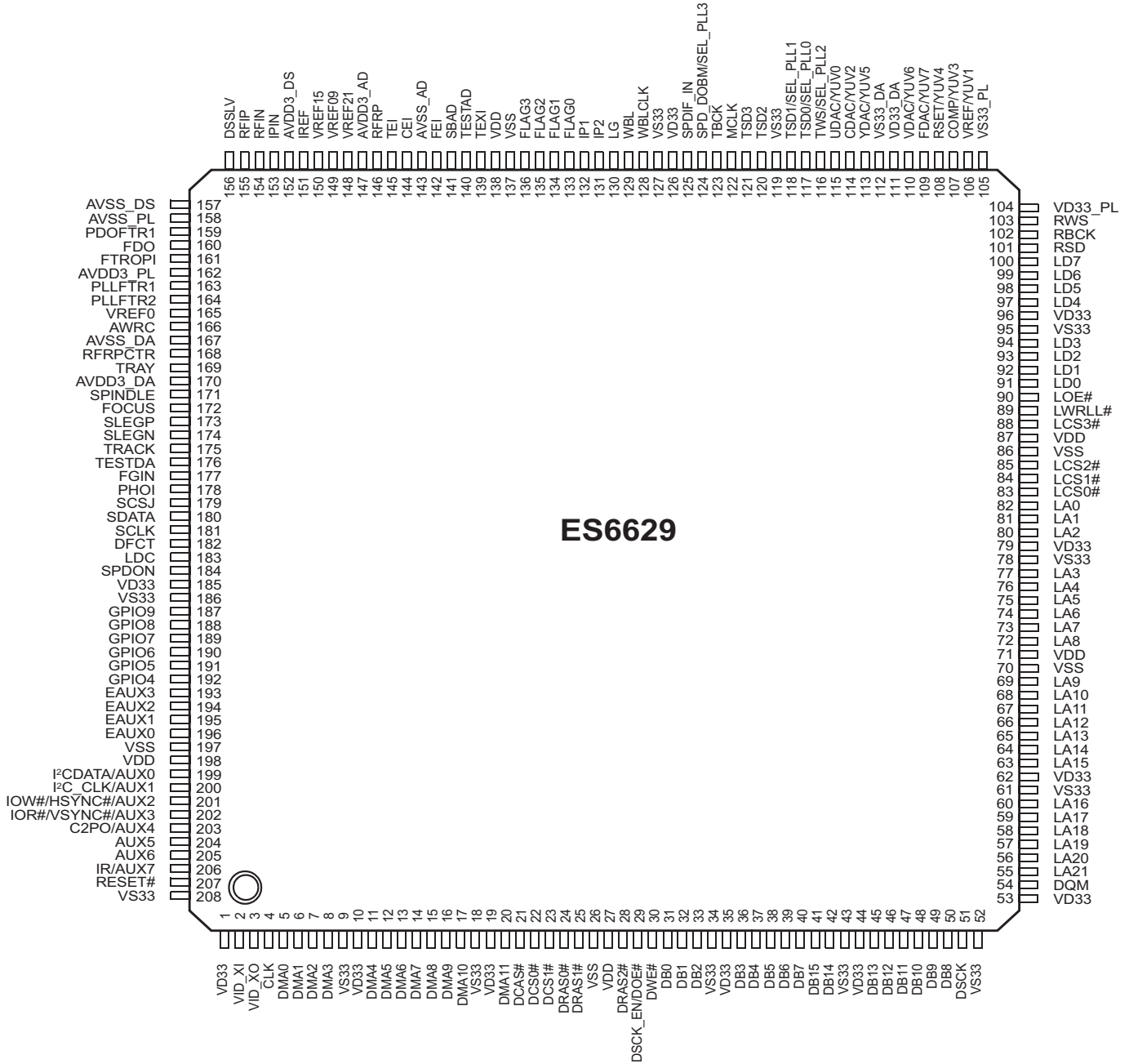
Block diagram



IC BLOCK DIAGRAM/TERMINAL DESCRIPTION

IC10 : ES6629 VIDEO PROCESSOR-(1)

PINOUT DIAGRAM



IC BLOCK DIAGRAM/TERMINAL DESCRIPTION

IC10 : ES6629 VIDEO PROCESSOR-(2)

PIN DESCRIPTION

Table 1 ES6629 Pin Description

Names	Pin Numbers	I/O	Definitions
VD33	1, 10, 19, 35, 44, 53, 62, 79, 96, 126, 185	P	I/O power supply.
VID_XI	2	I	Crystal input.
VID_XO	3	O	Crystal output.
CLK	4	I	System clock.
DMA[11:0]	5:8 11:17, 20	O	DRAM address bus.
VS33	9, 18, 34, 43, 52, 61, 78, 95, 119, 127, 186, 208	G	Ground for I/O power supply.
DCAS#	21	O	DRAM column address strobe (active-low).
DCS[1:0]#	22, 23	O	DRAM chip select (active-low).
DRAS[2:0]#	24, 25, 28	O	DRAM row address strobe (active-low).
VSS	26, 70, 86, 137, 197	G	Ground for core power supply.
VDD	27, 71, 87, 138, 198	P	Core power supply.
DSCK_EN	29	O	DRAM clock enable output.
DOE#		O	DRAM output enable (active-low).
DWE#	30	O	DRAM write enable (active-low).
DB[15:0]	31:33, 36:42, 45:50	I/O	DRAM data bus.
DSCK	51	O	Output clock to DRAM.
DQM	54	O	Data input/output mask.
LA[21:0]	55:60, 63:69, 72:77, 80:82	O	RISC port address bus.
LCS[3:0]#	83:85, 88	O	RISC port chip select (active-low).
LWRLL#	89	O	RISC port low-byte write enable (active-low).
LOE#	90	O	RISC port output enable (active-low).
LD[7:0]	91:94, 97:100	I/O	RISC port data bus; (5V tolerant input).
RSD	101	I	Audio receive serial data; (5V tolerant input).
RBCK	102	I	Audio receive bit clock; (5V tolerant input).
RWS	103	I	Audio receive frame sync; (5V tolerant input).
VD33_PL	104	P	Power for PLL blocks.
VS33_PL	105	G	Ground for PLL blocks.
VREF	106	I	Internal voltage reference to video DAC.
YUV1		O	YUV pixel 1 output data.
COMP	107	I	Compensation input.
YUV3		O	YUV pixel 3 output data.

IC BLOCK DIAGRAM/TERMINAL DESCRIPTION

IC10 : ES6629 VIDEO PROCESSOR-(3)

Table 1 ES6629 Pin Description (Continued)

Names	Pin Numbers	I/O	Definitions																																																																																																						
RSET	108	I	DAC current adjustment resistor input.																																																																																																						
YUV4		O	YUV pixel 4 output data.																																																																																																						
FDAC	109	O	Video DAC output. Refer to description and matrix for UDAC pin 115.																																																																																																						
YUV7		O	YUV pixel 7 output data.																																																																																																						
VDAC	110	O	Video DAC output. Refer to description and matrix for UDAC pin 115.																																																																																																						
YUV6		O	YUV pixel 6 output data.																																																																																																						
VD33_DA	111	P	Power for I/O power supply for VDAC.																																																																																																						
VS33_DA	112	G	Ground for I/O power supply for VDAC.																																																																																																						
YDAC	113	O	Video DAC output. Refer to description and matrix for UDAC pin 115.																																																																																																						
YUV5		O	YUV pixel 5 output data.																																																																																																						
CDAC	114	O	Video DAC output. Refer to description and matrix for UDAC pin 115.																																																																																																						
YUV2		O	YUV pixel 2 output data.																																																																																																						
UDAC	115	O	Video DAC output. <table border="1" style="margin-left: 20px;"> <thead> <tr> <th>Pin</th> <th>109</th> <th>110</th> <th>113</th> <th>114</th> <th>115</th> </tr> <tr> <th>Value</th> <th>F DAC</th> <th>V DAC</th> <th>Y DAC</th> <th>C DAC</th> <th>U DAC</th> </tr> </thead> <tbody> <tr> <td>0</td> <td>CVBS/Chroma</td> <td>CVBS1</td> <td>Y</td> <td>C</td> <td>N/A</td> </tr> <tr> <td>1</td> <td>CVBS/Chroma</td> <td>CVBS1</td> <td>Y</td> <td>C</td> <td>CVBS2</td> </tr> <tr> <td>2</td> <td>CVBS/Chroma</td> <td>N/A</td> <td>Y</td> <td>C</td> <td>N/A</td> </tr> <tr> <td>3</td> <td>CVBS/Chroma</td> <td>CVBS1</td> <td>N/A</td> <td>N/A</td> <td>CVBS2</td> </tr> <tr> <td>4</td> <td>CVBS/Chroma</td> <td>CVBS1</td> <td>N/A</td> <td>N/A</td> <td>N/A</td> </tr> <tr> <td>5</td> <td>CVBS/Chroma</td> <td>CVBS1</td> <td>Y</td> <td>Pb</td> <td>Pr</td> </tr> <tr> <td>6</td> <td>CVBS/Chroma</td> <td>N/A</td> <td>Y</td> <td>Pb</td> <td>Pr</td> </tr> <tr> <td>7</td> <td>N/A</td> <td>SYNC</td> <td>G</td> <td>B</td> <td>R</td> </tr> <tr> <td>8</td> <td>CVBS/Chroma</td> <td>Chroma</td> <td>Y</td> <td>Pb</td> <td>Pr</td> </tr> <tr> <td>9</td> <td>CVBS</td> <td>CVBS1</td> <td>G</td> <td>B</td> <td>R</td> </tr> <tr> <td>10</td> <td>CVBS</td> <td>CVBS1</td> <td>G</td> <td>R</td> <td>B</td> </tr> <tr> <td>11</td> <td>N/A</td> <td>SYNC</td> <td>G</td> <td>R</td> <td>B</td> </tr> <tr> <td>12</td> <td>CVBS/Chroma</td> <td>N/A</td> <td>Y</td> <td>Pr</td> <td>Pb</td> </tr> <tr> <td>13</td> <td>CVBS/Chroma</td> <td>CVBS1</td> <td>Y</td> <td>Pr</td> <td>Pb</td> </tr> <tr> <td>14</td> <td>Chroma</td> <td>Y</td> <td>G</td> <td>R</td> <td>B</td> </tr> </tbody> </table> <p style="margin-left: 20px;"> F: CVBS/chroma signal for simultaneous mode. Y: Luma component for YUV and Y/C processing. C: Chrominance signal for Y/C processing. U: Chrominance component signal for YUV mode. V: Chrominance component signal for YUV mode. </p>	Pin	109	110	113	114	115	Value	F DAC	V DAC	Y DAC	C DAC	U DAC	0	CVBS/Chroma	CVBS1	Y	C	N/A	1	CVBS/Chroma	CVBS1	Y	C	CVBS2	2	CVBS/Chroma	N/A	Y	C	N/A	3	CVBS/Chroma	CVBS1	N/A	N/A	CVBS2	4	CVBS/Chroma	CVBS1	N/A	N/A	N/A	5	CVBS/Chroma	CVBS1	Y	Pb	Pr	6	CVBS/Chroma	N/A	Y	Pb	Pr	7	N/A	SYNC	G	B	R	8	CVBS/Chroma	Chroma	Y	Pb	Pr	9	CVBS	CVBS1	G	B	R	10	CVBS	CVBS1	G	R	B	11	N/A	SYNC	G	R	B	12	CVBS/Chroma	N/A	Y	Pr	Pb	13	CVBS/Chroma	CVBS1	Y	Pr	Pb	14	Chroma	Y	G	R	B
Pin		109	110	113	114	115																																																																																																			
Value		F DAC	V DAC	Y DAC	C DAC	U DAC																																																																																																			
0		CVBS/Chroma	CVBS1	Y	C	N/A																																																																																																			
1		CVBS/Chroma	CVBS1	Y	C	CVBS2																																																																																																			
2		CVBS/Chroma	N/A	Y	C	N/A																																																																																																			
3		CVBS/Chroma	CVBS1	N/A	N/A	CVBS2																																																																																																			
4		CVBS/Chroma	CVBS1	N/A	N/A	N/A																																																																																																			
5		CVBS/Chroma	CVBS1	Y	Pb	Pr																																																																																																			
6		CVBS/Chroma	N/A	Y	Pb	Pr																																																																																																			
7		N/A	SYNC	G	B	R																																																																																																			
8		CVBS/Chroma	Chroma	Y	Pb	Pr																																																																																																			
9		CVBS	CVBS1	G	B	R																																																																																																			
10		CVBS	CVBS1	G	R	B																																																																																																			
11		N/A	SYNC	G	R	B																																																																																																			
12	CVBS/Chroma	N/A	Y	Pr	Pb																																																																																																				
13	CVBS/Chroma	CVBS1	Y	Pr	Pb																																																																																																				
14	Chroma	Y	G	R	B																																																																																																				
YUV0		O	YUV pixel 0 output data.																																																																																																						

IC BLOCK DIAGRAM/TERMINAL DESCRIPTION

IC10 : ES6629 VIDEO PROCESSOR-(4)

Table 1 ES6629 Pin Description (Continued)

Names	Pin Numbers	I/O	Definitions																																				
TWS	116	O	Audio transmit frame sync output.																																				
SEL_PLL2		I	System and DSCK output clock frequency selection is made at the rising edge of RESET#. The matrix below lists the available clock frequencies and their respective PLL bit settings. Strapped to VCC or ground via 4.7-k resistor; read-only during reset. <table border="1" data-bbox="696 559 1320 863"> <thead> <tr> <th>SEL_PLL2</th> <th>SEL_PLL1</th> <th>SEL_PLL0</th> <th>Clock Type (MHz)</th> </tr> </thead> <tbody> <tr> <td>0</td> <td>0</td> <td>0</td> <td>CLK .5</td> </tr> <tr> <td>0</td> <td>0</td> <td>1</td> <td>CLK 5.0</td> </tr> <tr> <td>0</td> <td>1</td> <td>0</td> <td>Bypass</td> </tr> <tr> <td>0</td> <td>1</td> <td>1</td> <td>CLK 4.0</td> </tr> <tr> <td>1</td> <td>0</td> <td>0</td> <td>CLK 4.25</td> </tr> <tr> <td>1</td> <td>0</td> <td>1</td> <td>CLK 4.75</td> </tr> <tr> <td>1</td> <td>1</td> <td>0</td> <td>CLK 5.5</td> </tr> <tr> <td>1</td> <td>1</td> <td>1</td> <td>CLK 6.0</td> </tr> </tbody> </table>	SEL_PLL2	SEL_PLL1	SEL_PLL0	Clock Type (MHz)	0	0	0	CLK .5	0	0	1	CLK 5.0	0	1	0	Bypass	0	1	1	CLK 4.0	1	0	0	CLK 4.25	1	0	1	CLK 4.75	1	1	0	CLK 5.5	1	1	1	CLK 6.0
SEL_PLL2		SEL_PLL1	SEL_PLL0	Clock Type (MHz)																																			
0		0	0	CLK .5																																			
0		0	1	CLK 5.0																																			
0		1	0	Bypass																																			
0		1	1	CLK 4.0																																			
1		0	0	CLK 4.25																																			
1	0	1	CLK 4.75																																				
1	1	0	CLK 5.5																																				
1	1	1	CLK 6.0																																				
TSD0	117	O	Audio transmit serial data port 0.																																				
SEL_PLL0		I	Refer to the description and matrix for SEL_PLL2 pin 116.																																				
TSD1	118	O	Audio transmit serial data port 1.																																				
SEL_PLL1		I	Refer to the description and matrix for SEL_PLL2 pin 116.																																				
TSD[2:3]	120, 121	O	Audio transmit serial data ports 2 and 3.																																				
MCLK	122	I/O	Audio master clock for audio DAC.																																				
TBCK	123	O	Audio transmit bit clock.																																				
SPD_DOBM	124	O	S/PDIF output.																																				
SEL_PLL3		I	Clock source select. Strapped to VCC or ground via 4.7-k resistor; read only during reset. <table border="1" data-bbox="696 1315 1094 1447"> <thead> <tr> <th>SEL_PLL3</th> <th>Clock Source</th> </tr> </thead> <tbody> <tr> <td>0</td> <td>Crystal oscillator</td> </tr> <tr> <td>1</td> <td>CLK input</td> </tr> </tbody> </table>	SEL_PLL3	Clock Source	0	Crystal oscillator	1	CLK input																														
SEL_PLL3	Clock Source																																						
0	Crystal oscillator																																						
1	CLK input																																						
SPDIF_IN	125	I	S/PDIF input; (5V tolerant input).																																				
WBLCLK	128	O	DVD-RAM wobble detector circuit clock source to preamp.																																				
WBL	129	O	DVD-RAM wobble output.																																				
LG	130	O	DVD-RAM land/groove flag.																																				
IP2	131	I	DVD-RAM header position index 2.																																				
IP1	132	I	DVD-RAM header position index 1.																																				
FLAG[3:0]	133:136	O	To monitor servo status.																																				
TEXI	139	I	High-speed tracking error input.																																				
TESTAD	140	I	Test AD input.																																				
SBAD	141	I	Sub-beam addition input signal.																																				
FEI	142	I	Focus input error signal.																																				

IC BLOCK DIAGRAM/TERMINAL DESCRIPTION

IC10 : ES6629 VIDEO PROCESSOR-(5)

Table 1 ES6629 Pin Description (Continued)

Names	Pin Numbers	I/O	Definitions																																				
TWS	116	O	Audio transmit frame sync output.																																				
SEL_PLL2		I	System and DSCK output clock frequency selection is made at the rising edge of RESET#. The matrix below lists the available clock frequencies and their respective PLL bit settings. Strapped to VCC or ground via 4.7-k resistor; read-only during reset. <table border="1" data-bbox="699 555 1321 859"> <thead> <tr> <th>SEL_PLL2</th> <th>SEL_PLL1</th> <th>SEL_PLL0</th> <th>Clock Type (MHz)</th> </tr> </thead> <tbody> <tr> <td>0</td> <td>0</td> <td>0</td> <td>CLK .5</td> </tr> <tr> <td>0</td> <td>0</td> <td>1</td> <td>CLK 5.0</td> </tr> <tr> <td>0</td> <td>1</td> <td>0</td> <td>Bypass</td> </tr> <tr> <td>0</td> <td>1</td> <td>1</td> <td>CLK 4.0</td> </tr> <tr> <td>1</td> <td>0</td> <td>0</td> <td>CLK 4.25</td> </tr> <tr> <td>1</td> <td>0</td> <td>1</td> <td>CLK 4.75</td> </tr> <tr> <td>1</td> <td>1</td> <td>0</td> <td>CLK 5.5</td> </tr> <tr> <td>1</td> <td>1</td> <td>1</td> <td>CLK 6.0</td> </tr> </tbody> </table>	SEL_PLL2	SEL_PLL1	SEL_PLL0	Clock Type (MHz)	0	0	0	CLK .5	0	0	1	CLK 5.0	0	1	0	Bypass	0	1	1	CLK 4.0	1	0	0	CLK 4.25	1	0	1	CLK 4.75	1	1	0	CLK 5.5	1	1	1	CLK 6.0
SEL_PLL2		SEL_PLL1	SEL_PLL0	Clock Type (MHz)																																			
0		0	0	CLK .5																																			
0		0	1	CLK 5.0																																			
0		1	0	Bypass																																			
0		1	1	CLK 4.0																																			
1		0	0	CLK 4.25																																			
1	0	1	CLK 4.75																																				
1	1	0	CLK 5.5																																				
1	1	1	CLK 6.0																																				
TSD0	117	O	Audio transmit serial data port 0.																																				
SEL_PLL0		I	Refer to the description and matrix for SEL_PLL2 pin 116.																																				
TSD1	118	O	Audio transmit serial data port 1.																																				
SEL_PLL1		I	Refer to the description and matrix for SEL_PLL2 pin 116.																																				
TSD[2:3]	120, 121	O	Audio transmit serial data ports 2 and 3.																																				
MCLK	122	I/O	Audio master clock for audio DAC.																																				
TBCK	123	O	Audio transmit bit clock.																																				
SPD_DOBM	124	O	S/PDIF output.																																				
SEL_PLL3		I	Clock source select. Strapped to VCC or ground via 4.7-k resistor; read only during reset. <table border="1" data-bbox="699 1310 1096 1442"> <thead> <tr> <th>SEL_PLL3</th> <th>Clock Source</th> </tr> </thead> <tbody> <tr> <td>0</td> <td>Crystal oscillator</td> </tr> <tr> <td>1</td> <td>CLK input</td> </tr> </tbody> </table>	SEL_PLL3	Clock Source	0	Crystal oscillator	1	CLK input																														
SEL_PLL3	Clock Source																																						
0	Crystal oscillator																																						
1	CLK input																																						
SPDIF_IN	125	I	S/PDIF input; (5V tolerant input).																																				
WBLCLK	128	O	DVD-RAM wobble detector circuit clock source to preamp.																																				
WBL	129	O	DVD-RAM wobble output.																																				
LG	130	O	DVD-RAM land/groove flag.																																				
IP2	131	I	DVD-RAM header position index 2.																																				
IP1	132	I	DVD-RAM header position index 1.																																				
FLAG[3:0]	133:136	O	To monitor servo status.																																				
TEXI	139	I	High-speed tracking error input.																																				
TESTAD	140	I	Test AD input.																																				
SBAD	141	I	Sub-beam addition input signal.																																				
FEI	142	I	Focus input error signal.																																				

IC BLOCK DIAGRAM/TERMINAL DESCRIPTION

IC10 : ES6629 VIDEO PROCESSOR-(6)

Table 1 ES6629 Pin Description (Continued)

Names	Pin Numbers	I/O	Definitions
AVSS_AD	143	G	Analog ground for ADC block.
CEI	144	I	Center error input signal.
TEI	145	I	Tracking error input signal.
RFRP	146	I	RF ripple/envelope input signal.
AVDD3_AD	147	P	Analog power supply for ADC block.
VREF21	148	O	2.1V reference voltage.
VREF09	149	O	0.9V reference voltage.
VREF15	150	O	1.5V reference voltage.
IREF	151	I	Servo data PLL interface reference current generator. Connect a resistor between this pin and ground to set reference current.
AVDD3_DS	152	P	Analog power supply for data slicer block.
IPIN	153	I	Inverting input of data slicer.
RFIN	154	I	Analog RF signal input after passing through equalizer (minus).
RFIP	155	I	Analog RF signal input after passing through equalizer (plus).
DSSLV	156	O	Data slicer level output.
AVSS_DS	157	G	Analog ground for data slicer block.
AVSS_PL	158	G	Analog ground for data PLL block.
PDOFTR1	159	O	Servo data PLL phase detector filter pin number 1.
FDO	160	O	Servo data PLL output node of frequency detector charge pump.
FTROPI	161	I	Servo data PLL input node of loop filter OP circuit.
AVDD3_PL	162	P	Analog power supply for data PLL block.
PLLFTR1	163	I	Servo data PLL loop filter pin number 1.
PLLFTR2	164	I	Servo data PLL loop filter pin number 2.
VREF0	165	O	Servo data PLL reference voltage output.
AWRC	166	I/O	Auto wide range control VCO signal from/to AWRC DAC.
AVSS_DA	167	G	Analog ground for DAC part.
RFRPCTR	168	I/O	Central level of RFRP.
TRAY	169	O	Output voltage level for tray buffer IC.
AVDD3_DA	170	P	Analog power supply for DAC part.
SPINDLE	171	O	Output voltage level for spindle buffer IC.
FOCUS	172	O	Output voltage level for focus buffer IC.
SLEGP	173	O	Output voltage level for Sledge buffer IC (plus).
SLEGN	174	O	Output voltage level for Sledge buffer IC (minus).
TRACK	175	O	Output voltage level for tracking buffer IC.
TESTDA	176	O	Test DA output.
FGIN	177	I	Spindle hall sensor input.

IC BLOCK DIAGRAM/TERMINAL DESCRIPTION

IC10 : ES6629 VIDEO PROCESSOR-(7)

Table 1 ES6629 Pin Description (Continued)

Names	Pin Numbers	I/O	Definitions
PHOI	178	I	Sledge photo interrupt signal input.
SCSJ	179	O	Chip selection signal to RF chip (serial data enable).
SDATA	180	I/O	Data signal from/to RF chip.
SCLK	181	O	Serial clock source to RF chip.
DFCT	182	I	Defect flag input signal.
LDC	183	O	Laser diode on/off control output.
SPDON	184	O	Spindle power driver on/off control output.
GPIO[9:4]	187:192	I/O	General-purpose input/output used for servo control; (5V tolerant input).
EAUX[3:0]	193:196	I/O	Extended auxilliary ports; (5V tolerant input).
I ² C DATA	199	I/O	I ² C data I/O; (5V tolerant input).
AUX0		I/O	Auxiliary port (open collector); (5V tolerant input).
I ² C_CLK	200	I/O	I ² C clock I/O; (5V tolerant input).
AUX1		I/O	Auxiliary port (open collector); (5V tolerant input).
IOW#	201	O	I/O Write strobe (LCS1) (active-low).
HSYNC#		I/O	Horizontal sync (active-low); (5V tolerant input).
AUX2		I/O	Auxiliary port; (5V tolerant input).
IOR#	202	O	I/O Read strobe (LCS1) (active-low).
VSYNC#		I/O	Vertical sync (active-low); (5V tolerant input).
AUX3		I/O	Auxiliary port; (5V tolerant input).
C2PO	203	I	Error correction flag from CD; (5V tolerant input).
AUX4		I/O	Auxiliary port; (5V tolerant input).
AUX[6:5]	204, 205	I/O	Auxiliary ports; (5V tolerant input).
IR	206	I	Infrared remote control input; (5V tolerant input).
AUX7		I/O	Auxiliary port; (5V tolerant input).
RESET#	207	I	Reset input (active-low); (5V tolerant input).

IC BLOCK DIAGRAM/TERMINAL DESCRIPTION

IC10 : ES6629 VIDEO PROCESSOR-(8)

SYSTEM BLOCK DIAGRAM

A sampling system block diagram for the ES6629 Vibratto-II DVD player board design is shown in Figure 2.

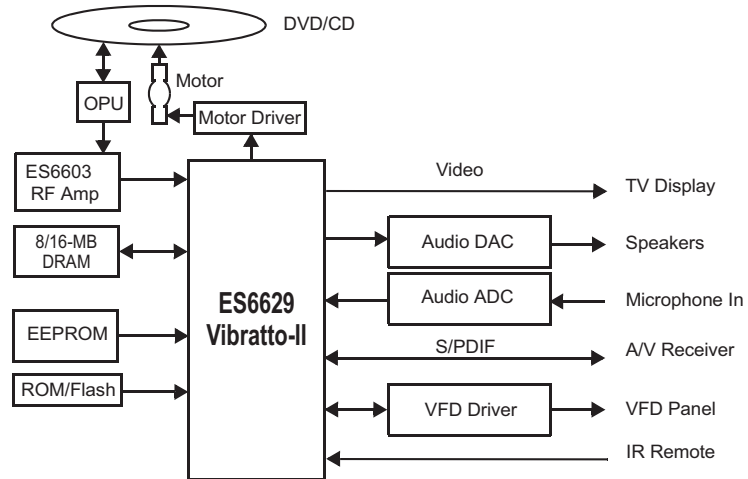
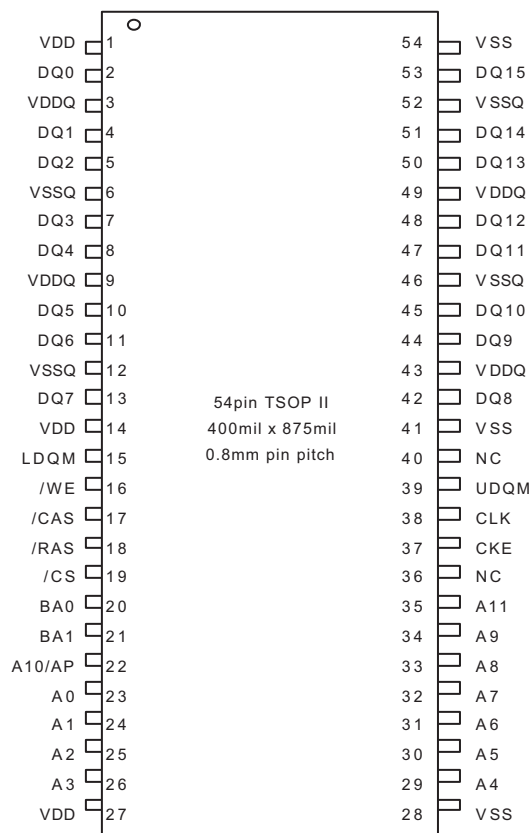


Figure 2 ES6629 Vibratto-II System Block Diagram

IC BLOCK DIAGRAM/TERMINAL DESCRIPTION

IC9 : HY57V641620HG D RAM-(1)

PIN CONFIGURATION



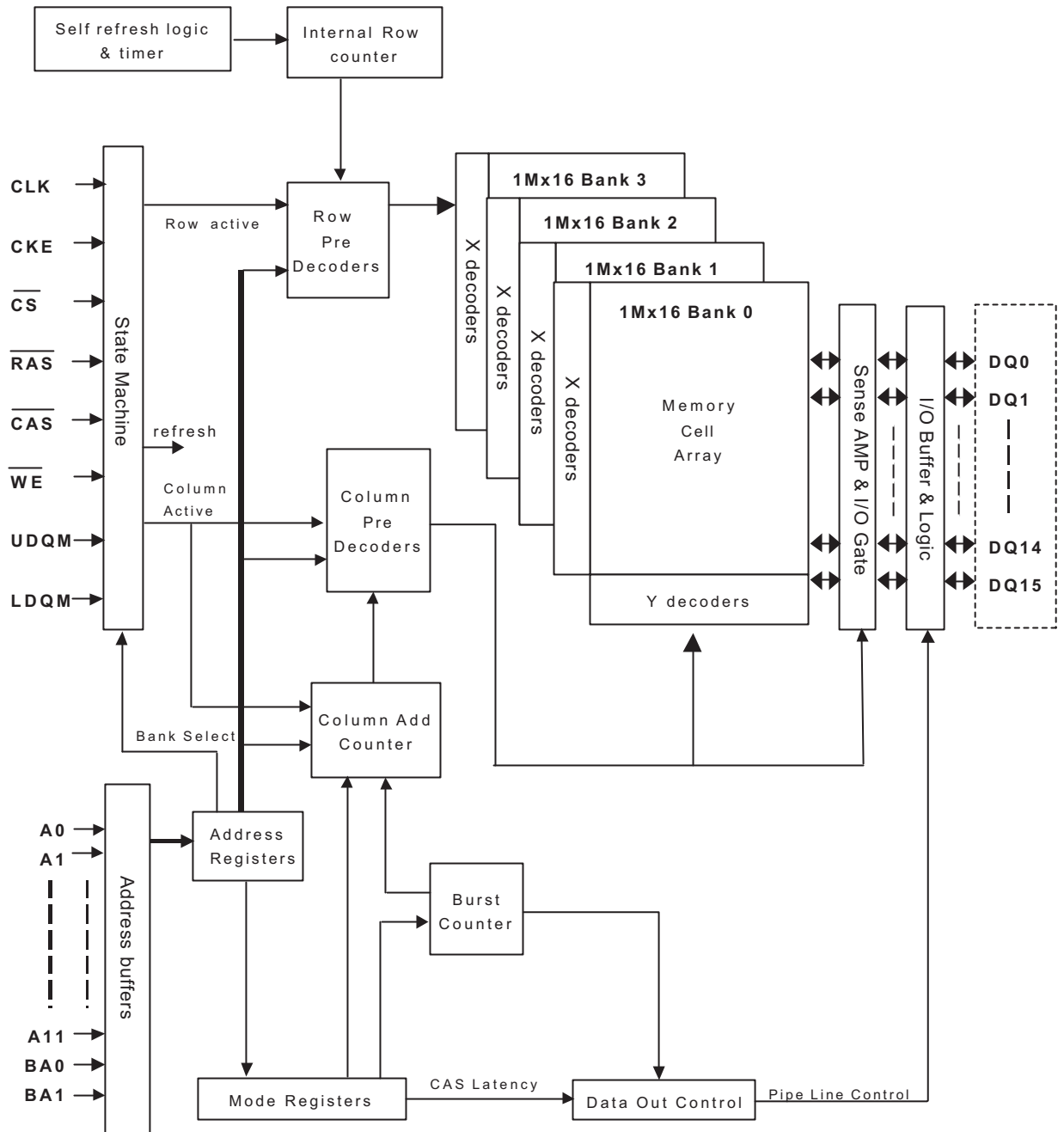
PIN DESCRIPTION

PIN	PIN NAME	DESCRIPTION
CLK	Clock	The system clock input. All other inputs are registered to the SDRAM on the rising edge of CLK
CKE	Clock Enable	Controls internal clock signal and when deactivated, the SDRAM will be one of the states among power down, suspend or self refresh
\overline{CS}	Chip Select	Enables or disables all inputs except CLK, CKE and DQM
BA0, BA1	Bank Address	Selects bank to be activated during \overline{RAS} activity Selects bank to be read/written during \overline{CAS} activity
A0 ~ A11	Address	Row Address : RA0 ~ RA11, Column Address : CA0 ~ CA7 Auto-precharge flag : A10
\overline{RAS} , \overline{CAS} , \overline{WE}	Row Address Strobe, Column Address Strobe, Write Enable	\overline{RAS} , \overline{CAS} and \overline{WE} define the operation Refer function truth table for details
LDQM, UDQM	Data Input/Output Mask	Controls output buffers in read mode and masks input data in write mode
DQ0 ~ DQ15	Data Input/Output	Multiplexed data input / output pin
VDD/VSS	Power Supply/Ground	Power supply for internal circuits and input buffers
VDDQ/VSSQ	Data Output Power/Ground	Power supply for output buffers
NC	No Connection	No connection

IC BLOCK DIAGRAM/TERMINAL DESCRIPTION

IC9 : HY57V641620HG D RAM-(2)

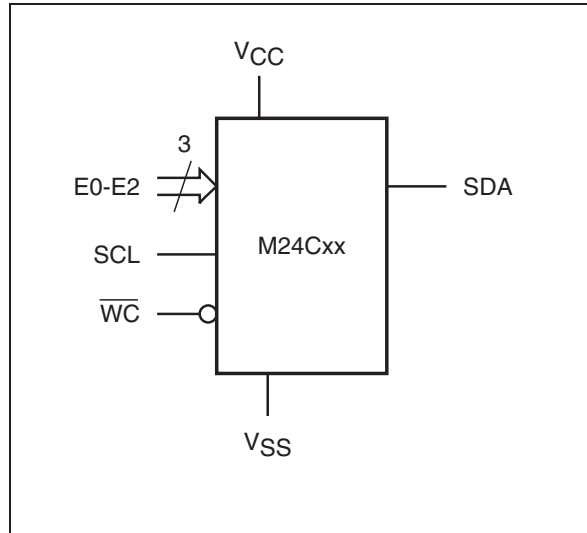
FUNCTIONAL BLOCK DIAGRAM



IC BLOCK DIAGRAM/TERMINAL DESCRIPTION

IC8 : M24C02WMN6 EEPROM

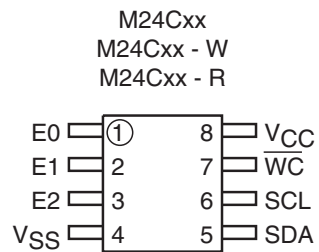
Logic Diagram



Signal Names

E0, E1, E2	Chip Enable Inputs
SDA	Serial Data/Address Input/ Output
SCL	Serial Clock
\overline{WC}	Write Control
VCC	Supply Voltage
VSS	Ground

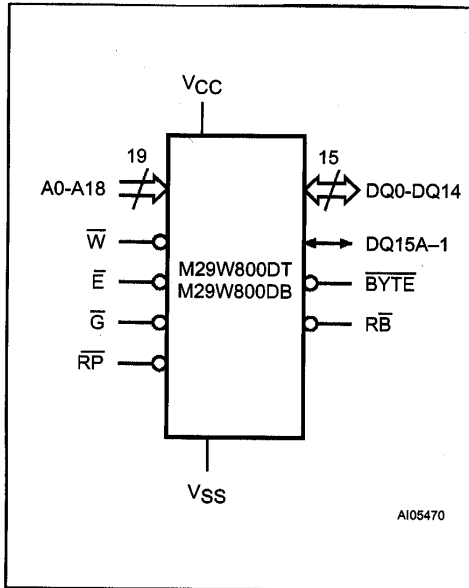
SO Connections



IC BLOCK DIAGRAM/TERMINAL DESCRIPTION

IC12 : M29W800DT MEMORY FLASH

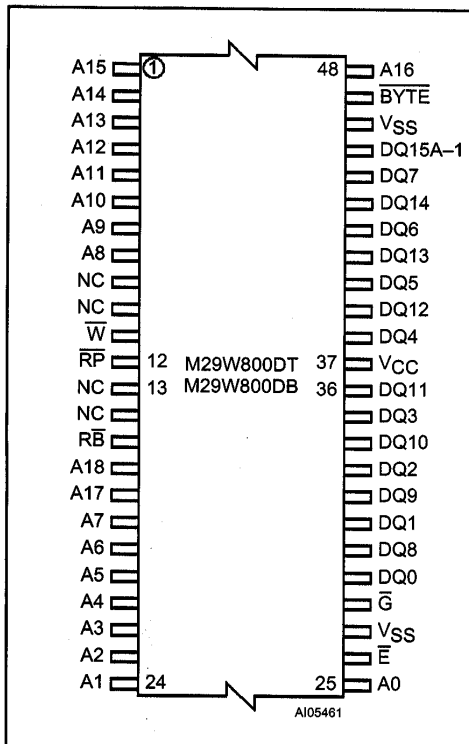
Logic Diagram



Signal Names

A0-A18	Address Inputs
DQ0-DQ7	Data Inputs/Outputs
DQ8-DQ14	Data Inputs/Outputs
DQ15A-1	Data Input/Output or Address Input
\bar{E}	Chip Enable
\bar{G}	Output Enable
\bar{W}	Write Enable
$\bar{R}\bar{P}$	Reset/Block Temporary Unprotect
$\bar{R}\bar{B}$	Ready/Busy Output (not available on SO44 package)
BYTE	Byte/Word Organization Select
Vcc	Supply Voltage
Vss	Ground
NC	Not Connected Internally

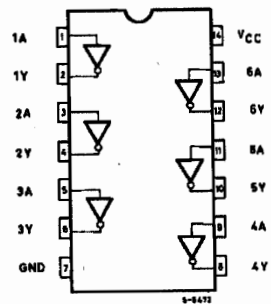
TSOP Connections



IC BLOCK DIAGRAM/TERMINAL DESCRIPTION

IC81 : M74HCU04 INVERTER IC

PIN CONNECTIONS



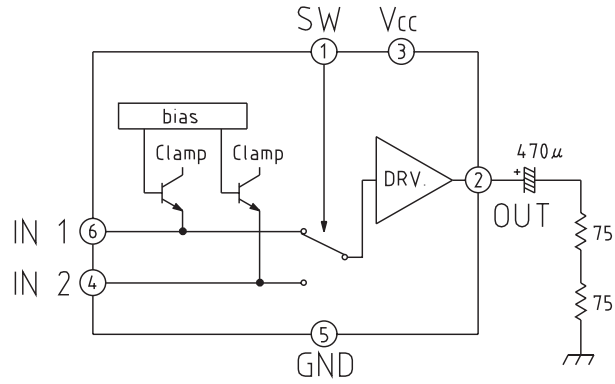
PIN DESCRIPTION

PIN No	SYMBOL	NAME AND FUNCTION
1, 3, 5, 9, 11, 13	1A to 6A	Data Inputs
2, 4, 6, 8, 10, 12	1Y to 6Y	Data Outputs
7	GND	Ground (0V)
14	Vcc	Positive Supply Voltage

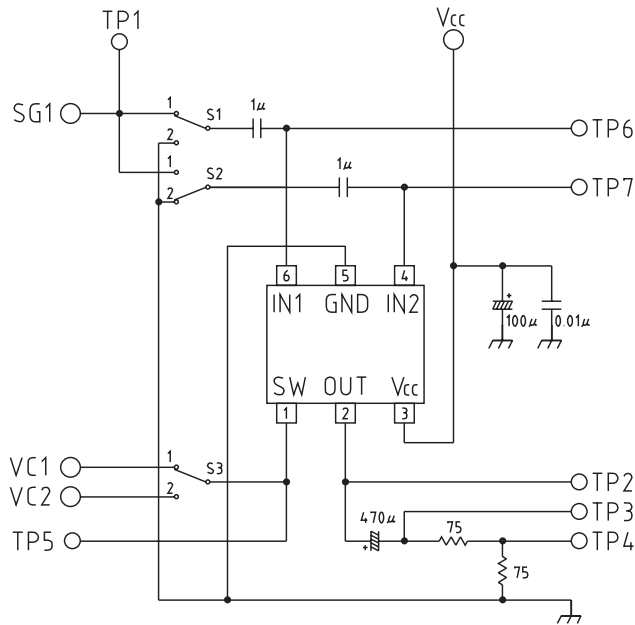
IC BLOCK DIAGRAM/TERMINAL DESCRIPTION

IC14 : MM1507 VIDEO SWITCH

Block Diagram

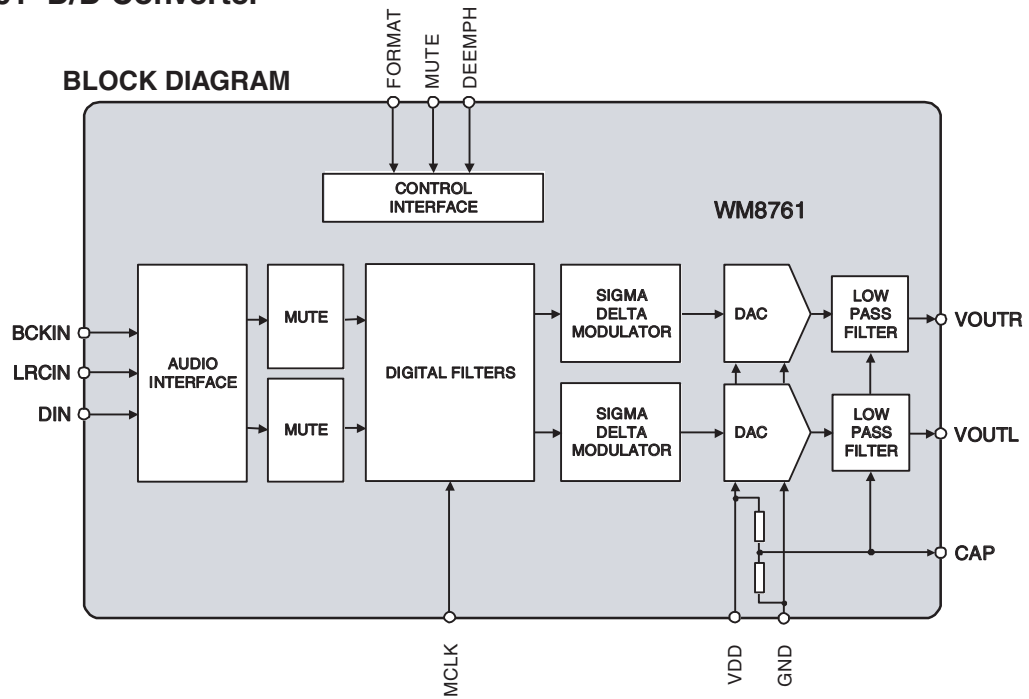


Measuring circuit

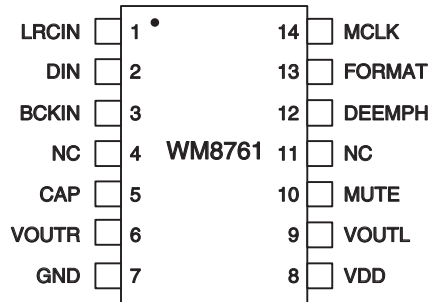


IC BLOCK DIAGRAM/TERMINAL DESCRIPTION

IC15 : WM8761 D/D Converter



PIN CONFIGURATION



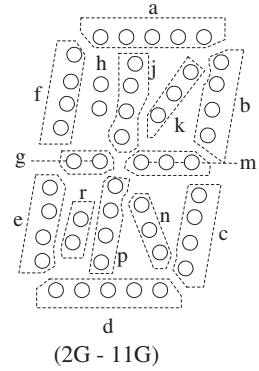
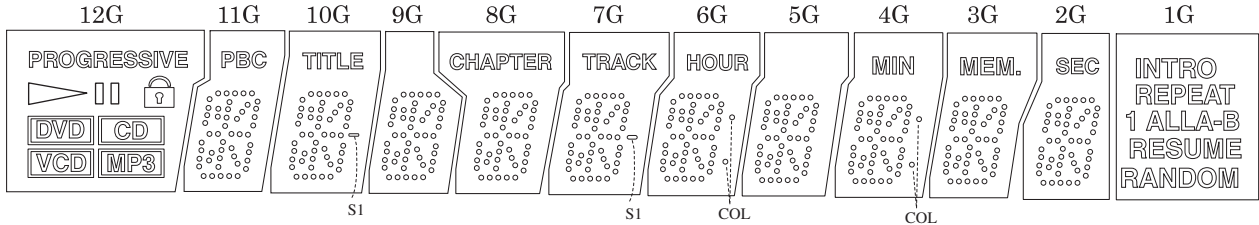
PIN DESCRIPTION

PIN	NAME	TYPE	DESCRIPTION
1	LRCIN	Digital input	Sample rate clock input
2	DIN	Digital input	Serial audio data input
3	BCKIN	Digital input	Bit clock input
4	NC	No connect	No internal connection
5	CAP	Analogue output	Analogue internal reference
6	VOUTR	Analogue output	Right channel DAC output
7	GND	Supply	Negative supply
8	VDD	Supply	Positive supply
9	VOUTL	Analogue output	Left channel DAC output
10	MUTE	Digital input	Soft mute control, Internal pull down High Impedance = Automute High = Mute ON Low = Mute OFF
11	NC	No connect	No internal connection
12	DEEMPH	Digital input	De-emphasis select, Internal pull up High = de-emphasis ON Low = de-emphasis OFF
13	FORMAT	Digital input	Data input format select, Internal pull up Low = 24-bit right justified or DSP 'late' High = 16-24-bit I ² S or DSP 'early'
14	MCLK	Digital input	Master clock input

FL TUBE VIEW

FL91 : HNV-12SM69T

GRID ASSIGNMENT



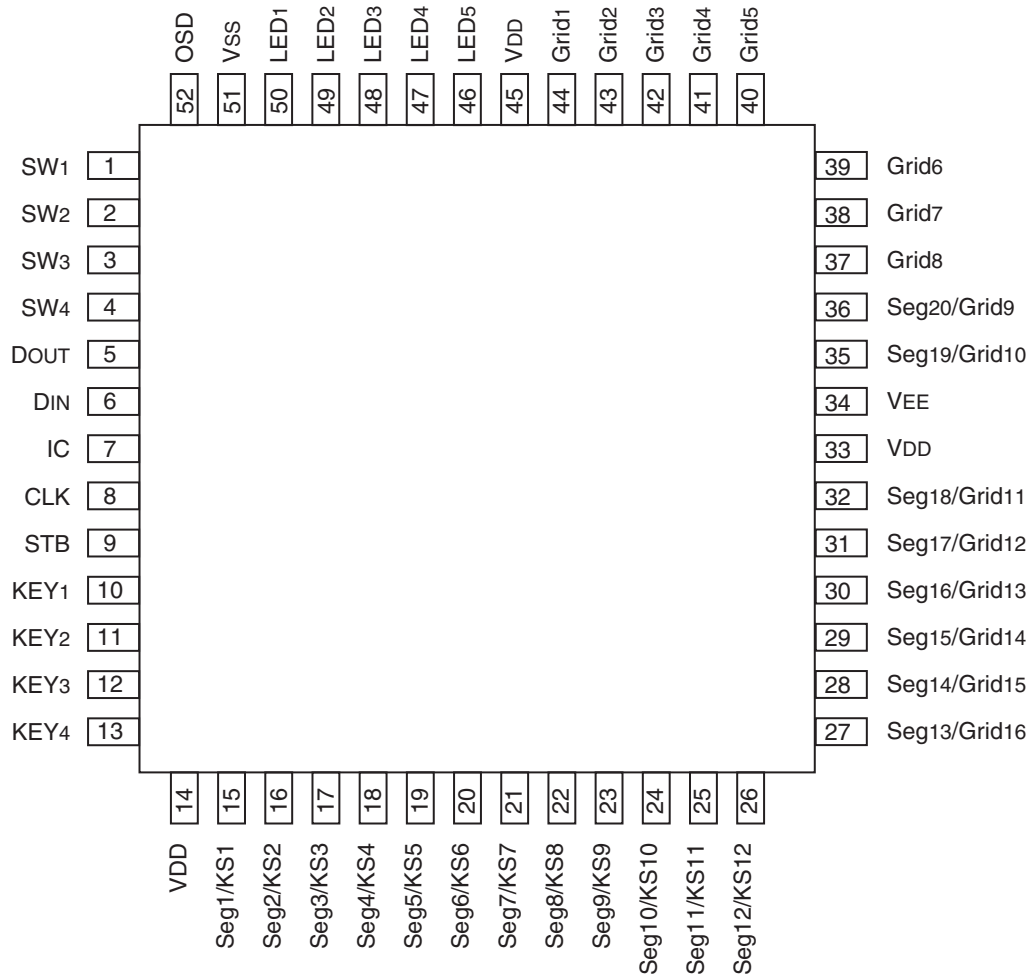
ANODE CONNECTION

	12G	11G	10G	9G	8G	7G	6G	5G	4G	3G	2G	1G
P1	PROGRESSIVE	PBC	TITLE		CHAPTER	TRACK	HOUR		MIN	MEM.	SEC	INTRO
P2	▶	a	a	a	a	a	a	a	a	a	a	REPEAT
P3	⏸	b	b	b	b	b	b	b	b	b	b	1
P4	🔒	f	f	f	f	f	f	f	f	f	f	ALL
P5	DVD	h	h	h	h	h	h	h	h	h	h	A-
P6	CD	j	j	j	j	j	j	j	j	j	j	B
P7	VCD	k	k	k	k	k	k	k	k	k	k	RESUME
P8	MP3	g	g	g	g	g	g	g	g	g	g	RANDOM
P9		m	m	m	m	m	m	m	m	m	m	
P10		c	c	c	c	c	c	c	c	c	c	
P11		e	e	e	e	e	e	e	e	e	e	
P12		r	r	r	r	r	r	r	r	r	r	
P13		p	p	p	p	p	p	p	p	p	p	
P14		n	n	n	n	n	n	n	n	n	n	
P15		d	d	d	d	d	d	d	d	d	d	
P16			S1			S1	col		col			

IC BLOCK DIAGRAM/TERMINAL DESCRIPTION

IC91 : uPD16311 FL Driver-(1)

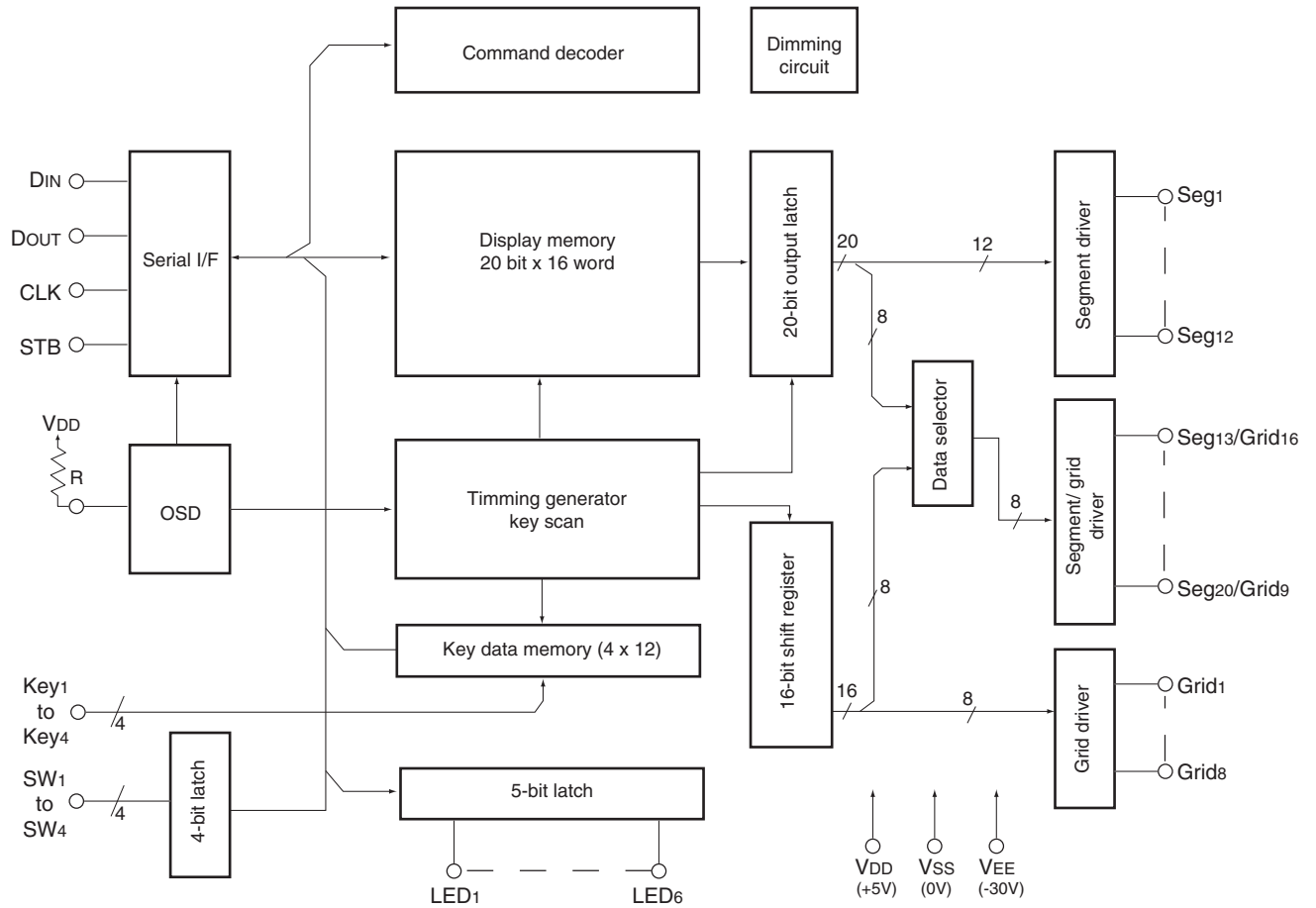
PIN CONFIGURATION



IC BLOCK DIAGRAM/TERMINAL DESCRIPTION

IC91 : uPD16311 FL Driver-(2)

BLOCK DIAGRAM



IC BLOCK DIAGRAM/TERMINAL DESCRIPTION

IC91 : uPD16311 FL Driver-(3)

PIN FUNCTION

Pin No.	Symbol	Pin name	Description
6	DIN	Data input	Inputs serial data at rising edge of shift clock, starting from lower bit.
5	DOUT	Data output	Outputs serial data at falling edge of shift clock, starting from lower bit. This is N-ch open-drain output pin.
9	STB	Strobe	Initializes serial interface at rising or falling edge to make uPD16311 waiting for reception of command. Data input after STB has fallen is processed as command. While command data is processed, current processing is stopped, and serial interface is initializes. While STB is high, CLK is ignored.
8	CLK	Clock input	Reads serial data at rising edge, and outputs data at falling edge.
52	OSD	Oscillator pin	Connect resistor for determining oscillation frequency to this pin.
15 to 26	Seg1/KS1 to Seg12/KS12	High-voltage output (segment)	Segment output pins (Dual function as key source).
44 to 37	Grid1 to Grid6	High-voltage output (Grid)	Grid output pins.
27 to 32	Seg13/Grid16 to Seg20/Grid9	High-voltage output (segment/ grid)	Tease pins are selectable for segment or grid output.
35 to 36	LED1 to LED6	LED output	CMOS output. +20 mA max..
50 to 46	Key1 to Key4	Key data input	Data input to these pins is latched at end of display cycle.
10 to 13	SW1 to SW4	switch input	These pins constitute 4-bit general-purpose input port.
1 to 4	VDD	Logic power	5 V = 10 %
14, 33, 45	VSS	Logic ground	connect this pin to GND of system.
51	VEE	Pull-down level	VDD – 35 V max.
34	IC	Internally connection	Be sure to leave this pin open (this pin is at VDD level).
7			

UPGRADE FIRM WARE

Confirm the version of firmware.

1. Open a tray.
2. Press the "SEARCH DOWN" ◀◀ button 2 second at the unit and "POWER" key on the remote controller.
Displayed on the FL tube like "1022". ex) 1022= FW version 1.22
3. Turn off the power switch and power on, again.

Initializing

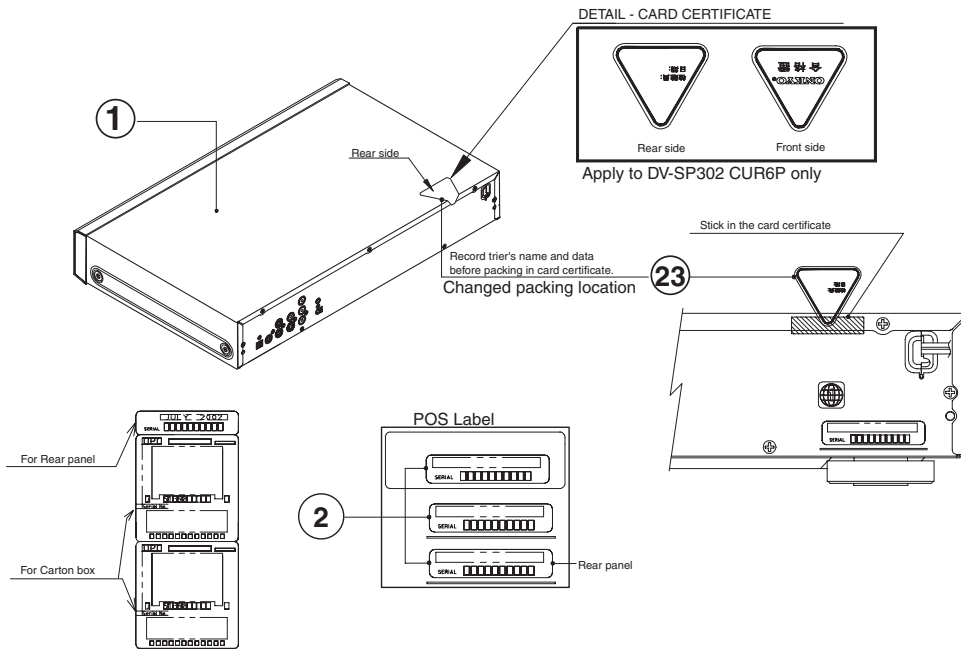
4. While display version of firmware, turn off a mechanical power switch.

Upgrade the firmware

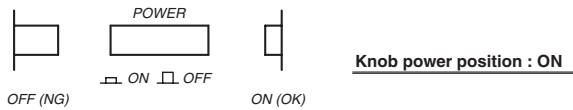
1. Connect a video monitor to video out jack on the DV-SP302.
2. Turn on the power switch and standby switch on.
3. Setting the disc on the tray. (Down load firmware data disc)
4. Will start the Firm Ware updating.
Display repeat "ERASES" and "WRITE" on the monitor.
Will tray open after finish the updating.
Light up "STANDBY/ON" LED. = Complete the upgrade FW.
5. Turn off mechanical power switch.
6. Turn on the power switch again and take out the disc and close the tray.

PACKING PROCEDURE

STEP 1 : LABEL FOR SET POSITION



STEP 2 : KNOB POWER POSITION

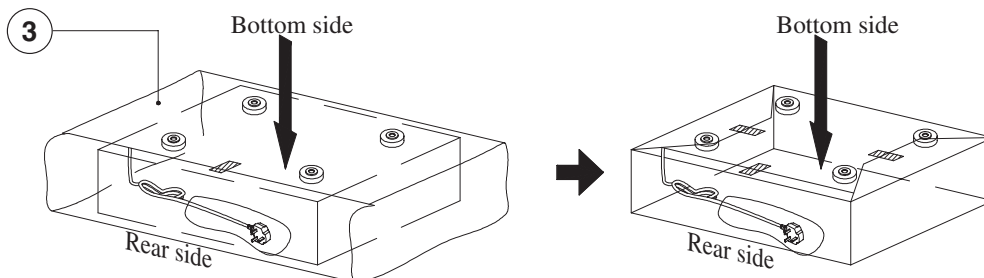


NOTE

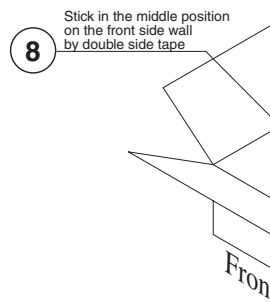
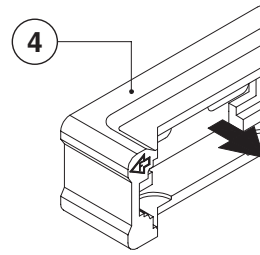
Pack the unit that have been set the DVD mechanism to initial mode (Push standby button so that set can goes into standby mode. → Pull out AC-cord (after check power switch ON)).



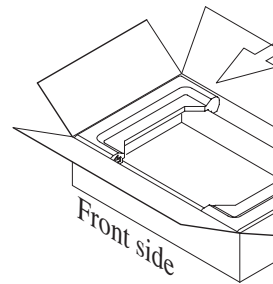
STEP 3 : SET PACKING



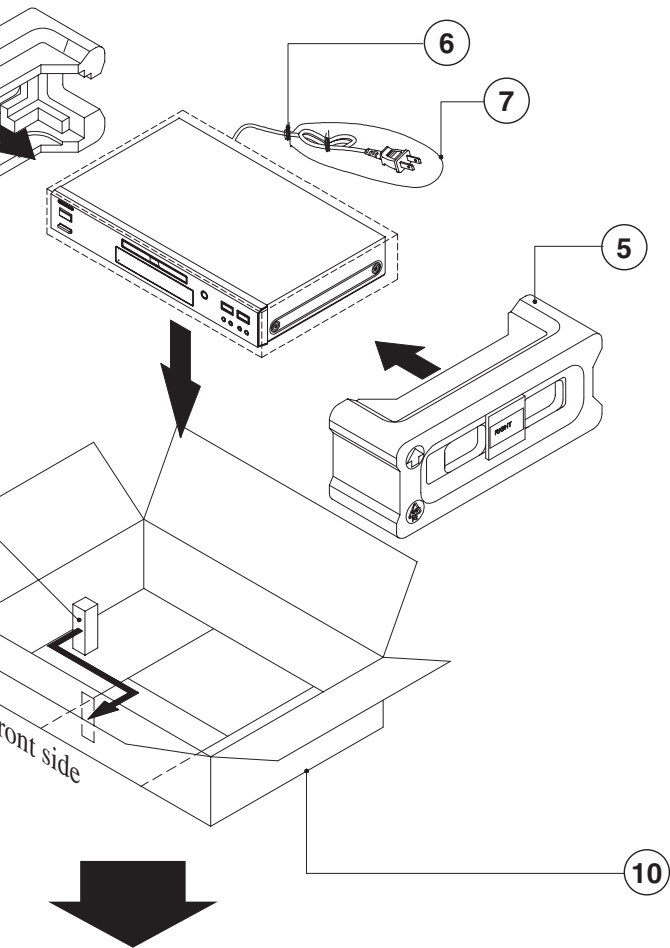
STEP 4



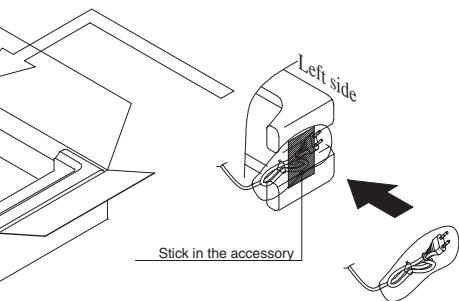
STEP



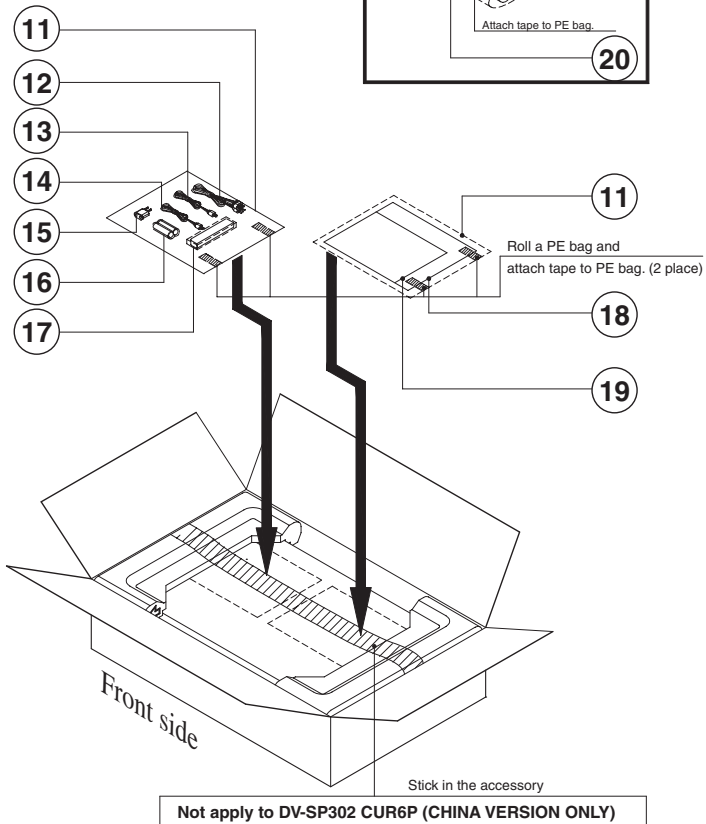
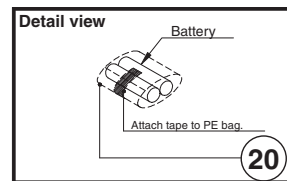
STEP 4 : SET IN BOX



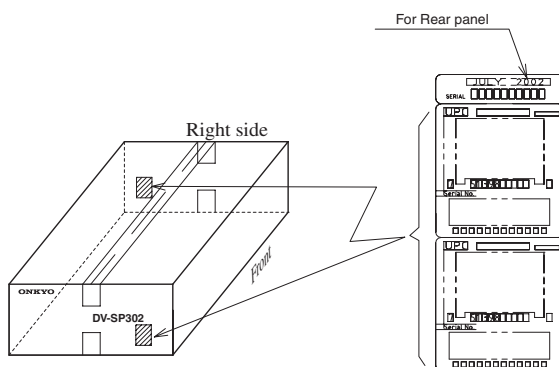
STEP 5 : AC CORD POSITION



STEP 6 : PACKING IN ACCESSORIES (PUT ON THE POLY BAG).

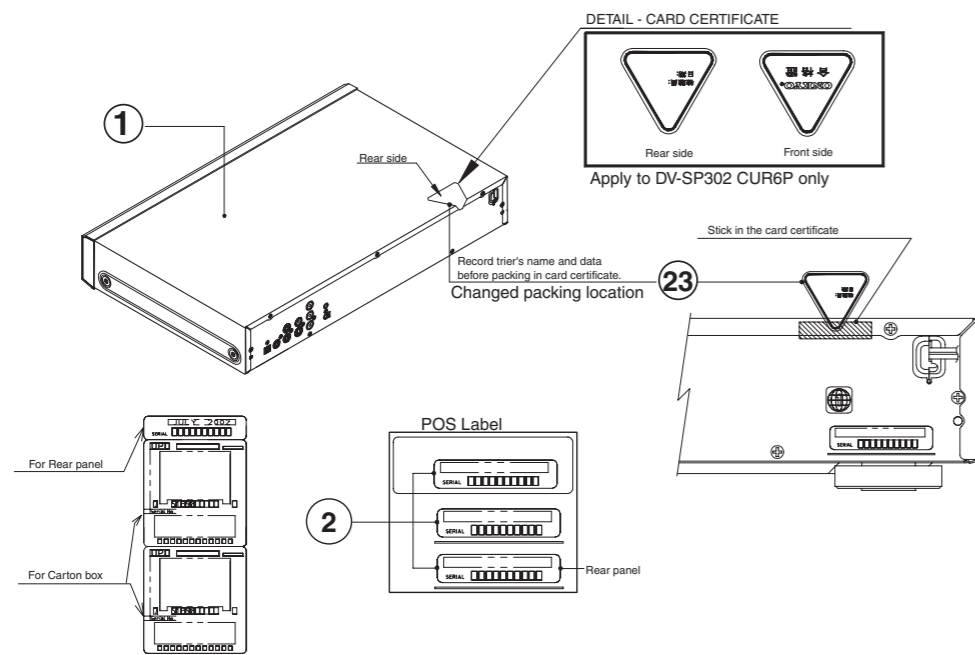


STEP 7 : LABEL FOR BOX POSITION



PACKING PROCEDURE

STEP 1 : LABEL FOR SET POSITION



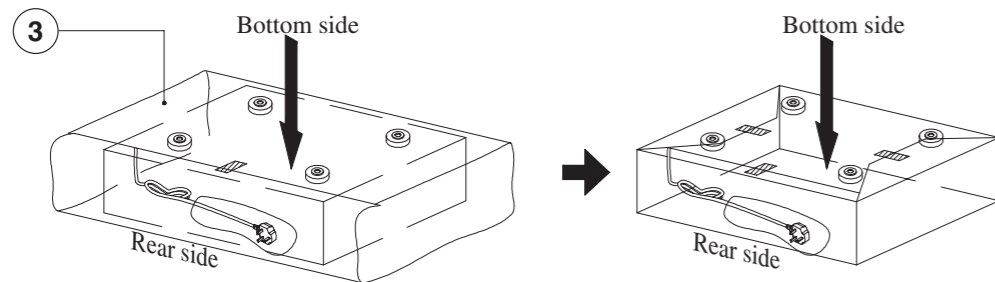
STEP 2 : KNOB POWER POSITION



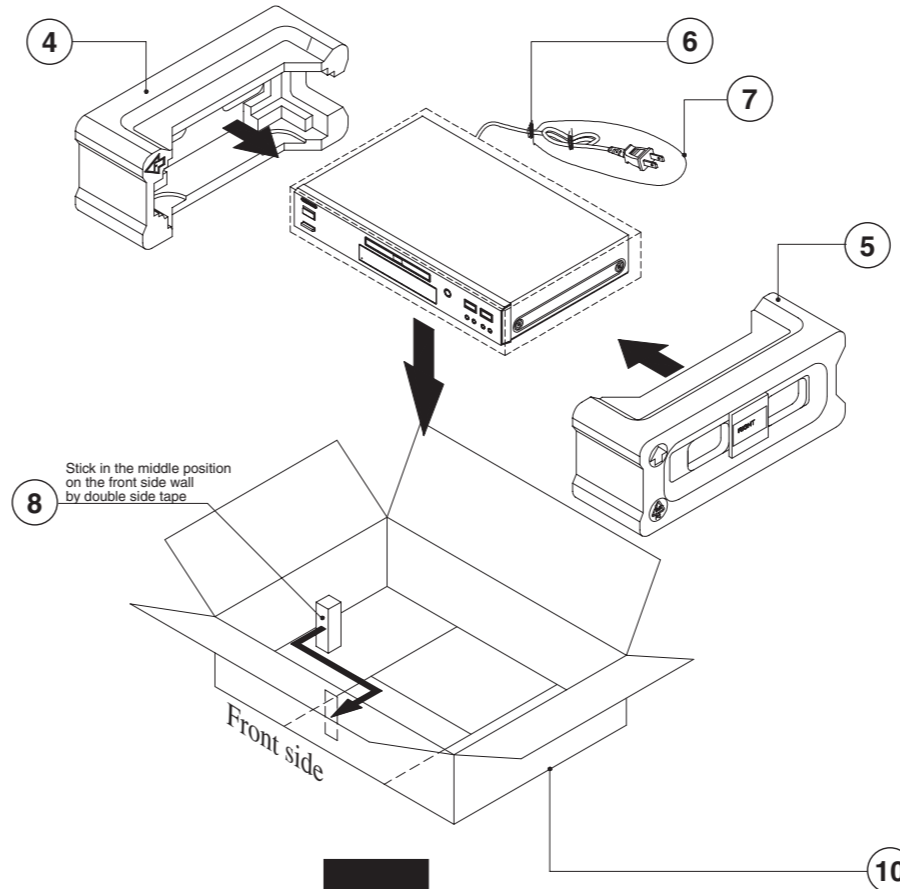
NOTE

Pack the unit that have been set the DVD mechanism to initial mode (Push standby button so that set can goes into standby mode. → Pull out AC-cord (after check power switch ON).

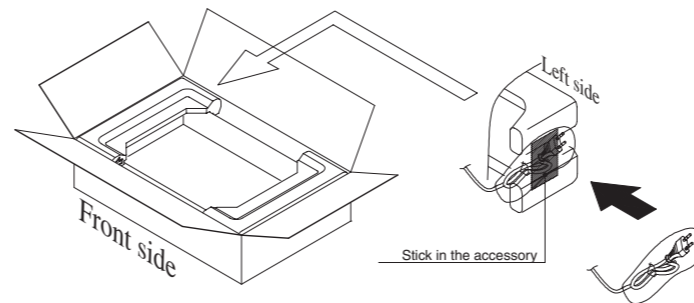
STEP 3 : SET PACKING



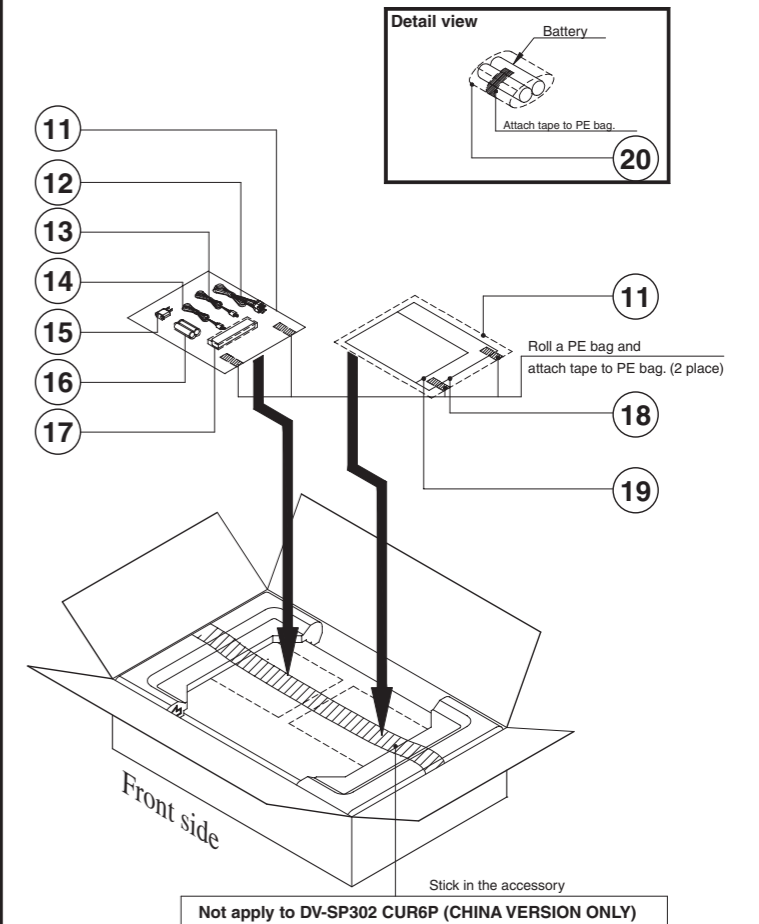
STEP 4 : SET IN BOX



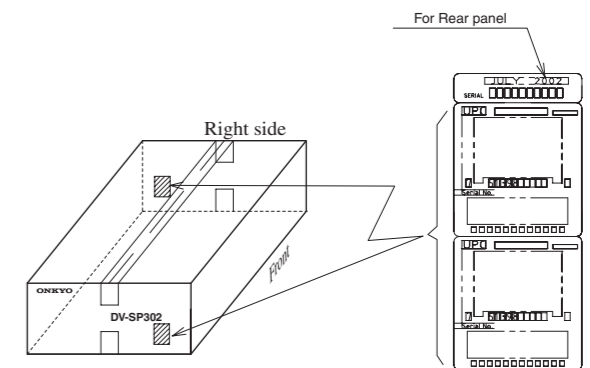
STEP 5 : AC CORD POSITION



STEP 6 : PACKING IN ACCESSORIES (PUT ON THE POLY BAG).



STEP 7 : LABEL FOR BOX POSITION



PARTS LIST
EXPLODED VIEW

No	PART NO.	PART NAME	DST/ COLOR	DESCRIPTION	Qt'y						REMARK	
					(B)CDD1N	(S)CDD1N	(B)CUA4P	(S)CUA4P	(G)CUT3P	(G)CUK3P		(G)CUR6P
1	55209110	Finger		PIN-STRIP 0.0MM 1 -- U FINGER STRIP DVD10 0 0	1.0	1.0	1.0	1.0	1.0	1.0	1.0	
2	55221140	Shield cover		AC RAW SHIELD COVER SENSOR DV-C503	1.0	1.0	1.0	1.0	1.0	1.0	1.0	
3	55186710	Facet		AC MLD CRYSTAL ST/BY DV-C503	1.0	1.0	1.0	1.0	1.0	1.0	1.0	
U4	55830650	Front display board	<B CDD1N>	AC EMBD IMA FRONT BD DV-SP302(B) CDD1N	1.0							NSP
	55931380	Front display board	<B CUA4P>	AC EMBD IMA FRONT BD DV-SP302(B) CUA4P		1.0						
	55931390	Front display board	<S CDD1N>	AC EMBD IMA FRONT BD DV-SP302(S) CDD1N			1.0					
	55931400	Front display board	<S CUA4P>	AC EMBD IMA FRONT BD DV-SP302(S) CUA4P				1.0				
	55931410	Front display board	<G CUT3P>	AC EMBD IMA FRONT BD DV-SP302(G) CUT3P					1.0			
	55931420	Front display board	<G CUK3P>	AC EMBD IMA FRONT BD DV-SP302(G) CUK3P						1.0		
	55931430	Front display board	<G CUR6P>	AC EMBD IMA FRONT BD DV-SP302(G) CUR6P							1.0	
U4-1	55830650-1	FL tube board	<B CDD1N>	Included U4 (Front display board)	1.0							
	55931380-1	FL tube board	<B CUA4P>			1.0						
	55931390-1	FL tube board	<S CDD1N>				1.0					
	55931400-1	FL tube board	<S CUA4P>					1.0				
	55931410-1	FL tube board	<G CUT3P>						1.0			
	55931420-1	FL tube board	<G CUK3P>							1.0		
	55931430-1	FL tube board	<G CUR6P>								1.0	
U4-2	55830650-2	Key switch board	<B CDD1N>	Included U4 (Front display board)	1.0							
	55931380-2	Key switch board	<B CUA4P>			1.0						
	55931390-2	Key switch board	<S CDD1N>				1.0					
	55931400-2	Key switch board	<S CUA4P>					1.0				
	55931410-2	Key switch board	<G CUT3P>						1.0			
	55931420-2	Key switch board	<G CUK3P>							1.0		
	55931430-2	Key switch board	<G CUR6P>								1.0	
U4-3	55830650-3	Standby switch board	<B CDD1N>	Included U4 (Front display board)	1.0							
	55931380-3	Standby switch board	<B CUA4P>			1.0						
	55931390-3	Standby switch board	<S CDD1N>				1.0					
	55931400-3	Standby switch board	<S CUA4P>					1.0				
	55931410-3	Standby switch board	<G CUT3P>						1.0			
	55931420-3	Standby switch board	<G CUK3P>							1.0		
	55931430-3	Standby switch board	<G CUR6P>								1.0	
U4-4	55830650-4	Remote sensor board	<B CDD1N>	Included U4 (Front display board)	1.0							
	55931380-4	Remote sensor board	<B CUA4P>			1.0						
	55931390-4	Remote sensor board	<S CDD1N>				1.0					
	55931400-4	Remote sensor board	<S CUA4P>					1.0				
	55931410-4	Remote sensor board	<G CUT3P>						1.0			
	55931420-4	Remote sensor board	<G CUK3P>							1.0		
	55931430-4	Remote sensor board	<G CUR6P>								1.0	
U20	55830660	DVD Main board assy	<B CDD1N>	AC EMBD IMA MAIN BD DV-SP302(B) CDD1N	1.0							MAIN BD
	55931690	DVD Main board assy	<S CDD1N>	AC EMBD IMA MAIN BD DV-SP302(S) CDD1N		1.0						
	55931680	DVD Main board assy	<B CUA4P>	AC EMBD IMA MAIN BD DV-SP302(B) CUA4P			1.0					
	55931700	DVD Main board assy	<S CUA4P>	AC EMBD IMA MAIN BD DV-SP302(S) CUA4P				1.0				
	55931710	DVD Main board assy	<G CUT3P>	AC EMBD IMA MAIN BD DV-SP302(G) CUT3P					1.0			

	55931720	DVD Main board assy	<G CUK3P>	AC EMBD IMA MAIN BD DV-SP302(G) CUK3P						1.0	
	55931730	DVD Main board assy	<G CUR6P>	AC EMBD IMA MAIN BD DV-SP302(G) CUR6P							1.0
U21	55830670	Output terminal board assy	<B CDD1N>	AC EMBD IMA OUT BD DV-SP302(B) CDD1N	1.0						
	55931930	Output terminal board assy	<S CDD1N>	AC EMBD IMA OUT BD DV-SP302(S) CDD1N		1.0					
	55931920	Output terminal board assy	<B CUA4P>	AC EMBD IMA OUT BD DV-SP302(B) CUA4P			1.0				
	55931940	Output terminal board assy	<S CUA4P>	AC EMBD IMA OUT BD DV-SP302(S) CUA4P				1.0			
	55931950	Output terminal board assy	<G CUT3P>	AC EMBD IMA OUT BD DV-SP302(G) CUT3P					1.0		
	55931960	Output terminal board assy	<G CUK3P>	AC EMBD IMA OUT BD DV-SP302(G) CUK3P						1.0	
	55931970	Output terminal board assy	<G CUR6P>	AC EMBD IMA OUT BD DV-SP302(G) CUR6P							1.0
5	55678210	Button Standby		AC MLD BUTTON STANDBY DV-SP301 BK HIPS	1.0		1.0				
	55688530	Button Standby	<S>	AC DEC BUTTON STANDBY DV-SP301(S) UDD1N HIPS		1.0		1.0			
	55688540	Button Standby	<G>	AC DEC BUTTON STANDBY DV-SP301(G) UUT3P HIPS					1.0	1.0	1.0
6	55832550	Front panel	<B CDD1N>	AC DEC CABINET PANEL FRONT DV-SP302(B) CDD1N	1.0						
	55932560	Front panel	<S CDD1N>	AC DEC CABINET PANEL FRONT DV-SP302(S) CDD1N		1.0					
	55932570	Front panel	<B CUA4P>	AC DEC CABINET PANEL FRONT DV-SP302(B) CUA4P			1.0				
	55932580	Front panel	<S CUA4P>	AC DEC CABINET PANEL FRONT DV-SP302(S) CUA4P				1.0			
	55932590	Front panel	<G CUT3P>	AC DEC CABINET PANEL FRONT DV-SP302(G) CUT3P					1.0	1.0	1.0
7	55186750	Badge LOGO		AC CPL PLATE LOGO-ONKYO DV-C503	1.0		1.0				
	55688330	Badge LOGO	<S> <G>	AC CPL PLATE LOGO-ONKYO DV-SP301(S),(G)		1.0		1.0	1.0	1.0	1.0
8	55832570	Door		AC DEC DOOR TRAY DV-SP302(B) CDD1N BK	1.0		1.0				
	55932600	Door	<S>	AC DEC DOOR TRAY DV-SP302(S) CDD1N SI01TH		1.0		1.0			
	55932610	Door	<G>	AC DEC DOOR TRAY DV-SP302(G) CUT3P GD01TH					1.0	1.0	1.0
9	55384980	Badge		AC CPL PLATE BADGE DVD DPC5.3	1.0		1.0				
	55688340	Badge	<S> <G>	AC CPL PLATE BADGE DVD DV-SP301(S),(G)		1.0		1.0	1.0	1.0	1.0
10	55678230	Clear plate		AC MLD CRYSTAL WINDOW DISPLAY DV-SP301	1.0		1.0				
	55688570	Clear plate	<S> <G>	AC MLD CRYSTAL WINDOW DISPLAY DV-SP301(S),(G)		1.0		1.0	1.0	1.0	1.0
11	55832590	Bracket Mecha.		AC PUN BRACKET MECHA DV-SP302 SECC 1.0T	1.0	1.0	1.0	1.0	1.0	1.0	1.0
12	55678220	Button 6 key		AC MLD BUTTON 6KEY DV-SP301 BK HIPS	1.0		1.0				
	55688550	Button 6 key	<S>	AC DEC BUTTON 6KEY DV-SP301(S) UDD1N HIPS		1.0		1.0			
	55688560	Button 6 key	<G>	AC DEC BUTTON 6KEY DV-SP301(G) UUT3P HIPS					1.0	1.0	1.0
13	55678190	Button Open/ Close		AC MLD BUTTON OPEN/CLOSE DV-SP301 BK HIPS	1.0		1.0				
	55688510	Button Open/ Close	<S>	AC DEC BUTTON OPEN/CLOSE DV-SP301(S) UDD1N HIPS		1.0		1.0			
	55688520	Button Open/ Close	<G>	AC DEC BUTTON OPEN/CLOSE DV-SP301(G) UUT3P HIPS					1.0	1.0	1.0
14	55929750	FL tube		DISPLAY HNV-12SM69T DV-SP302(ONKYO)	1.0	1.0	1.0	1.0	1.0	1.0	1.0
15	55832580	Holder FL tube		AC MLD HOLDER VFD DV-SP302	1.0	1.0	1.0	1.0	1.0	1.0	1.0
16	55914040	Plate		AC PUN PLATE GUIDE DV-SP302	1.0	1.0	1.0	1.0	1.0	1.0	1.0
17	55141370	Rubber Foot		AC FOOT RUBBER ROUND 3.0MM 25.0MM JIS 60 Y DIA	4.0	4.0	4.0	4.0	4.0	4.0	4.0
18	5512512A	Foot		AC RAW FOOT REAR ROUND 12.5MM 50MM	4.0	4.0	4.0	4.0	4.0	4.0	4.0
19	55832480	Chassis		AC CPL CABINET CHASSIS MAIN DV-SP302	1.0	1.0	1.0	1.0	1.0	1.0	1.0
28	55832490	Rear panel	<B S> <CDD1N>	AC CPL REAR PANEL DV-SP302(B) CDD1N	1.0	1.0					
	55932620	Rear panel	 <CUA4P>	AC CPL REAR PANEL DV-SP302(B) CUA4P			1.0	1.0			
	55932630	Rear panel	<G> <CUT3P> <CUK3P>	AC CPL REAR PANEL DV-SP302(G) CUT3P					1.0	1.0	
	55932640	Rear panel	<G> <CUR6P>	AC CPL REAR PANEL DV-SP302(G) CUR6P							1.0
29	55125180	Bushing	!	AC MLD CLAMP AC CORD RT2280/RT2250(PAV5007/PAV5005)	1.0	1.0	1.0	1.0	1.0	1.0	1.0
30	55190780	Power cord	<CDD1N> !	WIRE-MCRDM 0.75MM2 2200MM BK US LMPS0242-O	1.0	1.0					
	55190790	Power cord	<CUA4P> <CUT3P> !	WIRE-MCRDM 0.75MM2 2200MM BK EU H03VVH2-F			1.0	1.0	1.0		
	55968210	Power cord	<CUK3P> !	WIRE-MCRDM 0.75MM2 2200MM BK KS						1.0	
	55328430	Power cord	<CUR6P> !	WIRE-MCRDM 0.75MM2 1830MM BK CCEE POWER CORD							1.0

31	55934240	Power supply unit	!	AD ASY SMPS KSP118F-1102005-0	1.0	1.0	1.0	1.0	1.0	1.0	1.0	
32	55678120	Knob	<B CDD1N> <B CUA4P>	AC MLD KNOB POWER DV-SP301 BK	1.0		1.0					KNOB POWER
	55688410	Knob	<S CDD1N> <S CUA4P>	AC DEC KNOB POWER DV-SP301(S) UDD1N		1.0		1.0				
	55688420	Knob	<G >	AC DEC KNOB POWER DV-SP301(G) UUT3P					1.0	1.0	1.0	
33	55683400	Top cover		AC PUN COVER TOP DV-SP301 BK -- --	1.0		1.0					COVER TOP
	55688580	Top cover	<S>	AC PUN COVER TOP DV-SP301(S) UDD1N PCM 0.7T SI01TH		1.0		1.0				
	55688590	Top cover	<G>	AC PUN COVER TOP DV-SP301(G) UUS4P PCM 0.7T GD01TH					1.0	1.0	1.0	
34	55896680	DVD Loader mechanism		AC MSA ASY WXD-8610(2) DVD LOADER	1.0	1.0	1.0	1.0	1.0	1.0	1.0	
35	55926240	Frame		AC PUN BRACKET FRAME MECHA DV-SP302 SECC 1.0T	1.0	1.0	1.0	1.0	1.0	1.0	1.0	
36	5516498A	Spacer		AC MLD BRACKET SPACE PCB BK PLASTIC	3.0	3.0	3.0	3.0	3.0	3.0	3.0	
37	55943700	Traverse mechanism		AC MSA ASY PICK-UP TRAVERSE CMS-S71SG6T	1.0	1.0	1.0	1.0	1.0	1.0	1.0	
38	55768220	Plate		AC PUN PLATE EARTH DV-SP301		1.0		1.0	1.0	1.0	1.0	
39	55179040	Wire		WIRECONASY UNIQUE 1P 140MM UL1007 PVC DISCRETE 24 1		1.0		1.0	1.0	1.0	1.0	
40	55212250	Cable clamp		CABLE-FIX CLAMP WIRE UL DENNISON 0 0	2.0	2.0	2.0	2.0	2.0	2.0	2.0	
S1	55127290	Screw		SCREW-ST 3MM 18MM JIS B 1122 J80600031810 53 0 0	3.0	3.0	3.0	3.0	3.0	3.0	3.0	
S2	55164800	Screw		SCREW 3MM 8MM DIN963 62 2182 B7	15.0	15.0	15.0	15.0	15.0	15.0	15.0	
S3	55127070	Screw		SCREW-ST 3MM 10MM JIS B 1122 J5636140010X 19 0 0	13.0	6.0	13.0	6.0	6.0	6.0	6.0	
	55215970	Screw		SCREW-ST 3MM 8MM JIS B 1122 53 0 0		7.0		7.0	7.0	7.0	7.0	
S4	55135460	Screw		SCREW-SPEC 3MM 10MM JIS J90720301080 27 0 0	11.0	11.0	11.0	11.0	11.0	11.0	11.0	
S5	20363340	Screw		SCREW-ST 2.6MM 8MM JIS B 1122 53 0 0	14.0	14.0	14.0	14.0	14.0	14.0	14.0	
S6	55127180	Screw		SCREW-ST 3MM 8MM JIS B 1122 25 0 0	2.0	2.0	2.0	2.0	2.0	2.0	2.0	
S7	55127280	Screw		SCREW-ST 3MM 6MM JIS B 1122 25 0 0	2.0		2.0					
	55127120	Screw		SCREW-ST 3MM 8MM JIS B 1122 J5636140040X 53 0 0		2.0		2.0	2.0	2.0	2.0	
S8	55546030	Screw		SCREW-ST 3MM 6MM SAM 53 0 A4	1.0	1.0	1.0	1.0	1.0	1.0	1.0	

NOTE:

- : Black color model
- <S>: Silver color model
- <G>: Golden color model

<CUD1N>: North American model

<CUA4P>: Australian model

<CUT3P>: Asia model

<CUK3P>: Korean model

DV-SP302(B) UDD1N PART LIST

PC BOARD PARTS LIST

FRONT DISPLAY BOARD DV-SP302

CIRCUIT NO.	PART NAME	PART NO.	DESCRIPTION
0050	Holder	55832580	front FL tube
CN61	Socket AS	55180520	5P 220mm, 2.0mm
CN62	Socket AS	55951950	9P 130mm, 2.0mm
CN63	Socket AS	55158680	2P 80mm, 2.0mm
CN71	Socket AS	55951960	12P 100mm, 2.0mm
CN72	Socket AS	55951970	6P 90mm, 2.0mm
CP64	Connector	55078520	CONN 2.0MM 2 MA R NAT LW2003P02 0 0
FG60	Finger	55209110	PIN-STRIP 0.0MM 1 -- U FINGER STRIP DVD10 0 0
FG63	Finger plate	55178960	AC SPRING PLATE SPRING GND C5212 0.2T AVR520
FL91	FL tube	55929750	DISPLAY HNV-12SM69T DV-SP302(ONKYO)
LD61	LED	55125510	D-LEM LTL-1CHE RD RND 3.0 DIFU 5.6CD
RM61	Remote sensor	55193920	IC-REMOTE NJL64H380A RECEIVER 38KHZ
C901	Capacitor ceramic	11059320	CCCFMIN 1N0F +10% -10% 50.0V X7R
C902	Capacitor ceramic	20251250	CCCFMIN 47N0F +10% -10% 50.0V X7R
C904	Capacitor ceramic	20267290	CCCFMIN 100N0F +80% -20% 50.0V Y5V
C905	Capacitor ceramic	20267290	CCCFMIN 100N0F +80% -20% 50.0V Y5V
C916	Capacitor ceramic	30938700	CCCFMIN 68P0F +5% -5% 50.0V NP0
C917	Capacitor ceramic	30938700	CCCFMIN 68P0F +5% -5% 50.0V NP0
C918	Capacitor ceramic	30938700	CCCFMIN 68P0F +5% -5% 50.0V NP0
C919	Capacitor ceramic	30938700	CCCFMIN 68P0F +5% -5% 50.0V NP0
C920	Capacitor ceramic	30938700	CCCFMIN 68P0F +5% -5% 50.0V NP0
C921	Capacitor ceramic	30938700	CCCFMIN 68P0F +5% -5% 50.0V NP0
C922	Capacitor ceramic	30938700	CCCFMIN 68P0F +5% -5% 50.0V NP0
C923	Capacitor ceramic	30938700	CCCFMIN 68P0F +5% -5% 50.0V NP0
C924	Capacitor ceramic	30938700	CCCFMIN 68P0F +5% -5% 50.0V NP0
C925	Capacitor ceramic	30938700	CCCFMIN 68P0F +5% -5% 50.0V NP0
C926	Capacitor ceramic	30938700	CCCFMIN 68P0F +5% -5% 50.0V NP0
C927	Capacitor ceramic	30938700	CCCFMIN 68P0F +5% -5% 50.0V NP0
D601	Diode	20496510	D-SLP 1SS355 35.0V 225MI0A
IC91	IC	20920150	IC-DISPLAY UPD16311GC-AB6 HIGH VOLTAGE DRIVER
Q601	Trnsistor	55051240	TR-SSD KRC107S N 10K0 OHM 47K0 OHM
R606	Resistor	15268430	RMGCFMIN 1R0 OHM +5% 100MI0W
R607	Resistor	11066420	RMGCFMIN 390R0 OHM +5% 100MI0W
R608	Resistor	30944310	RMGCFMIN 4K7 OHM +5% 100MI0W
R609	Resistor	70434200	RMGCFMIN 100R0 OHM +5% 100MI0W
R701	Resistor	50886610	RMGCFMIN 10K0 OHM +5% 100MI0W
R702	Resistor	50886610	RMGCFMIN 10K0 OHM +5% 100MI0W
R703	Resistor	50886610	RMGCFMIN 10K0 OHM +5% 100MI0W
R704	Resistor	50886610	RMGCFMIN 10K0 OHM +5% 100MI0W
R901	Resistor	50886610	RMGCFMIN 10K0 OHM +5% 100MI0W
R902	Resistor	50886610	RMGCFMIN 10K0 OHM +5% 100MI0W
R903	Resistor	50886610	RMGCFMIN 10K0 OHM +5% 100MI0W
R904	Resistor	50886610	RMGCFMIN 10K0 OHM +5% 100MI0W
R906	Resistor	80440510	RMGCFMIN 0 OHM +0% 100MI0W
R909	Resistor	50886620	RMGCFMIN 39K0 OHM +5% 100MI0W
R910	Resistor	80440510	RMGCFMIN 0 OHM +0% 100MI0W
R919	Resistor	80440510	RMGCFMIN 0 OHM +0% 100MI0W
R931	Resistor	11066510	RMGCFMIN 120K0 OHM +5% 100MI0W
R932	Resistor	11066510	RMGCFMIN 120K0 OHM +5% 100MI0W
C601	Capacitor Electric	15002130	CE 10U0F +20% 16.0V 85C
SW71	Tact switch	55145270	SWITACT VERTICAL F/B 50MI0A 12.0V 500MI0OHM 1T 1P
SW72	Tact switch	55145270	SWITACT VERTICAL F/B 50MI0A 12.0V 500MI0OHM 1T 1P
SW73	Tact switch	55145270	SWITACT VERTICAL F/B 50MI0A 12.0V 500MI0OHM 1T 1P
SW74	Tact switch	55145270	SWITACT VERTICAL F/B 50MI0A 12.0V 500MI0OHM 1T 1P
SW75	Tact switch	55145270	SWITACT VERTICAL F/B 50MI0A 12.0V 500MI0OHM 1T 1P
SW76	Tact switch	55145270	SWITACT VERTICAL F/B 50MI0A 12.0V 500MI0OHM 1T 1P
SW77	Tact switch	55145270	SWITACT VERTICAL F/B 50MI0A 12.0V 500MI0OHM 1T 1P
SW78	Tact switch	55145270	SWITACT VERTICAL F/B 50MI0A 12.0V 500MI0OHM 1T 1P
D901	Diode	70436540	D-SLP 1N4148 100.0V 150E-3A
D902	Diode	70436540	D-SLP 1N4148 100.0V 150E-3A

DV-SP302(B) UDD1N PART LIST

D903	Diode	70436540	D-SLP 1N4148 100.0V 150E-3A
R601	Resistor	30939360	RCF 10R0 OHM +5% 250MI0W
R602	Resistor	30939370	RCF 15R0 OHM +5% 250MI0W
R603	Resistor	30939370	RCF 15R0 OHM +5% 250MI0W
R604	Resistor	30939370	RCF 15R0 OHM +5% 250MI0W
R605	Resistor	30939370	RCF 15R0 OHM +5% 250MI0W

MAIN BOARD DV-SP302

CIRCUIT NO.	PART NAME	PART NO.	DESCRIPTION
C6	Capacitor	55126060	CC 470P0F +10% -10% 50.0V 2B4
CC1A	Socket AS	55933000	6P 80mm, 2.0mm
CC4A	Socket AS	55933010	5P 80mm, 2.0mm
CC5A	FFC	55946320	FFC-JUMPER 24X 0.5MM 190MM D TYPE
CD49	Capacitor	10071220	CE 100U0F +20% 10.0V 85C 10124720
CD50	Capacitor	10071220	CE 100U0F +20% 10.0V 85C 10124720
CD57	Capacitor	10071220	CE 100U0F +20% 10.0V 85C 10124720
CD58	Capacitor	80434330	CE 100U0F +20% 10.0V 85C
CD59	Capacitor	80434330	CE 100U0F +20% 10.0V 85C
CD60	Capacitor	80434330	CE 100U0F +20% 10.0V 85C
CD61	Capacitor	80434330	CE 100U0F +20% 10.0V 85C
CD63	Capacitor	20267830	CE 47U0F +20% 16.0V 85C 20251640
CD64	Capacitor	80434330	CE 100U0F +20% 10.0V 85C
CD66	Capacitor	20252650	CE 220U0F +20% 16.0V 85C
CN2	Socket AS	55932990	WIRECONASY 07305H 7P 300MM UL1007 RIBBON 22 1
CP1	Socket AS	55123330	CONN 2.0MM 6 MA ST NAT LW2002P06 0 0
CP2	Socket AS	55123380	CONN 2.0MM 15 MA ST NAT LW2002P15 0 0
CP3	Socket AS	55123330	CONN 2.0MM 6 MA ST NAT LW2002P06 0 0
CP4	Socket AS	55123320	CONN 2.0MM 5 MA ST NAT LW2002P05 0 0
CP8	Socket AS	55090070	CONN 2.0MM 2 MA ST NAT LW2002P0200T 0 0
D11	Diode silicon	20415060	D-SR 1N4004 400.0V 1.0A
D12	Diode silicon	20415060	D-SR 1N4004 400.0V 1.0A
GND1	Terminal	55135980	TERMLUG GND
Y1	Oscillator	55827880	FILQZ 27M0 HZ +30 PPM 40.0 OHM 20P0 F
B10	Capacitor	20288040	CCCFMIC 100N0F +80% -20% 16.0V Y5V
B11	Capacitor	20288040	CCCFMIC 100N0F +80% -20% 16.0V Y5V
B12	Capacitor	20288040	CCCFMIC 100N0F +80% -20% 16.0V Y5V
B15	Capacitor	20288040	CCCFMIC 100N0F +80% -20% 16.0V Y5V
B24	Capacitor	20288040	CCCFMIC 100N0F +80% -20% 16.0V Y5V
B25	Capacitor	20288040	CCCFMIC 100N0F +80% -20% 16.0V Y5V
B26	Capacitor	20288040	CCCFMIC 100N0F +80% -20% 16.0V Y5V
B27	Capacitor	20288040	CCCFMIC 100N0F +80% -20% 16.0V Y5V
B28	Capacitor	20288040	CCCFMIC 100N0F +80% -20% 16.0V Y5V
B29	Capacitor	20288040	CCCFMIC 100N0F +80% -20% 16.0V Y5V
B30	Capacitor	20288040	CCCFMIC 100N0F +80% -20% 16.0V Y5V
B31	Capacitor	20288040	CCCFMIC 100N0F +80% -20% 16.0V Y5V
B32	Capacitor	20288040	CCCFMIC 100N0F +80% -20% 16.0V Y5V
B33	Capacitor	20288040	CCCFMIC 100N0F +80% -20% 16.0V Y5V
B36	Capacitor	20288040	CCCFMIC 100N0F +80% -20% 16.0V Y5V
B37	Capacitor	20288040	CCCFMIC 100N0F +80% -20% 16.0V Y5V
B38	Capacitor	20288040	CCCFMIC 100N0F +80% -20% 16.0V Y5V
B39	Capacitor	20288040	CCCFMIC 100N0F +80% -20% 16.0V Y5V
B40	Capacitor	20288040	CCCFMIC 100N0F +80% -20% 16.0V Y5V
B41	Capacitor	20288040	CCCFMIC 100N0F +80% -20% 16.0V Y5V
B42	Capacitor	20288040	CCCFMIC 100N0F +80% -20% 16.0V Y5V
B46	Capacitor	20288040	CCCFMIC 100N0F +80% -20% 16.0V Y5V
B9	Capacitor	20288040	CCCFMIC 100N0F +80% -20% 16.0V Y5V
C1	Capacitor	20506680	CCCFMIC 470P0F +5% -5% 50.0V NP0
C106	Capacitor	20288040	CCCFMIC 100N0F +80% -20% 16.0V Y5V
C107	Capacitor	20288040	CCCFMIC 100N0F +80% -20% 16.0V Y5V
C109	Capacitor	20288040	CCCFMIC 100N0F +80% -20% 16.0V Y5V
C11	Capacitor	20506680	CCCFMIC 470P0F +5% -5% 50.0V NP0
C19	Capacitor	20288040	CCCFMIC 100N0F +80% -20% 16.0V Y5V
C21	Capacitor	20288040	CCCFMIC 100N0F +80% -20% 16.0V Y5V
C22	Capacitor	20288040	CCCFMIC 100N0F +80% -20% 16.0V Y5V

DV-SP302(B) UDD1N PART LIST

C27	Capacitor	20506540	CCCFMIC 10P0F +0P5F -0P5F 50.0V NP0
C28	Capacitor	20506540	CCCFMIC 10P0F +0P5F -0P5F 50.0V NP0
C29	Capacitor	20506540	CCCFMIC 10P0F +0P5F -0P5F 50.0V NP0
C3	Capacitor	20506680	CCCFMIC 470P0F +5% -5% 50.0V NP0
C30	Capacitor	20506540	CCCFMIC 10P0F +0P5F -0P5F 50.0V NP0
C5	Capacitor	20506680	CCCFMIC 470P0F +5% -5% 50.0V NP0
C558	Capacitor	20288040	CCCFMIC 100N0F +80% -20% 16.0V Y5V
C7	Capacitor	20288040	CCCFMIC 100N0F +80% -20% 16.0V Y5V
C72	Capacitor	20288040	CCCFMIC 100N0F +80% -20% 16.0V Y5V
C9	Capacitor	20506680	CCCFMIC 470P0F +5% -5% 50.0V NP0
C98	Capacitor	20288040	CCCFMIC 100N0F +80% -20% 16.0V Y5V
CC10	Capacitor	20947600	CCCFMIN 1U0F +10% -10% 10.0V X7R
CC11	Capacitor	10138710	CCCFMIC 4N7F +10% -10% 50.0V X7R
CC14	Capacitor	20288040	CCCFMIC 100N0F +80% -20% 16.0V Y5V
CC15	Capacitor	20288040	CCCFMIC 100N0F +80% -20% 16.0V Y5V
CC17	Capacitor	10138740	CCCFMIC 6N8F +10% -10% 50.0V X7R
CC20	Capacitor	20947600	CCCFMIN 1U0F +10% -10% 10.0V X7R
CC22	Capacitor	20288040	CCCFMIC 100N0F +80% -20% 16.0V Y5V
CC24	Capacitor	20288040	CCCFMIC 100N0F +80% -20% 16.0V Y5V
CC26	Capacitor	20288040	CCCFMIC 100N0F +80% -20% 16.0V Y5V
CC28	Capacitor	10138980	CCCFMIC 15N0F +10% -10% 50.0V X7R
CC30	Capacitor	10138390	CCCFMIC 560P0F +10% -10% 50.0V X7R
CC31	Capacitor	10138980	CCCFMIC 15N0F +10% -10% 50.0V X7R
CC32	Capacitor	10138980	CCCFMIC 15N0F +10% -10% 50.0V X7R
CC33	Capacitor	10138390	CCCFMIC 560P0F +10% -10% 50.0V X7R
CC38	Capacitor	20288040	CCCFMIC 100N0F +80% -20% 16.0V Y5V
CC44	Capacitor	20288040	CCCFMIC 100N0F +80% -20% 16.0V Y5V
CC45	Capacitor	10138960	CCCFMIC 10N0F +10% -10% 50.0V X7R
CC57	Capacitor	20506590	CCCFMIC 100P0F +5% -5% 50.0V NP0
CC63	Capacitor	20288060	CCCFMIC 220N0F +80% -20% 16.0V Y5V
CC64	Capacitor	10138550	CCCFMIC 1N0F +10% -10% 50.0V X7R
CC71	Capacitor	10138550	CCCFMIC 1N0F +10% -10% 50.0V X7R
CC80	Capacitor	20288040	CCCFMIC 100N0F +80% -20% 16.0V Y5V
CC81	Capacitor	20288040	CCCFMIC 100N0F +80% -20% 16.0V Y5V
CC86	Capacitor	20506680	CCCFMIC 470P0F +5% -5% 50.0V NP0
CC88	Capacitor	20947600	CCCFMIN 1U0F +10% -10% 10.0V X7R
CC92	Capacitor	20947600	CCCFMIN 1U0F +10% -10% 10.0V X7R
CS2	Capacitor	10138710	CCCFMIC 4N7F +10% -10% 50.0V X7R
CS3	Capacitor	20288040	CCCFMIC 100N0F +80% -20% 16.0V Y5V
QS1	Transistor	55133330	TR-SSD DTC114TKA N 10K0 OHM
R11	Resistor	10134710	RMGCFMIC 75R0 OHM +5% 100MI0W
R112	Resistor	10134410	RMGCFMIC 10R0 OHM +5% 100MI0W
R114	Resistor	10134410	RMGCFMIC 10R0 OHM +5% 100MI0W
R12	Resistor	10134710	RMGCFMIC 75R0 OHM +5% 100MI0W
R13	Resistor	10134890	RMGCFMIC 390R0 OHM +5% 100MI0W
R15	Resistor	10134710	RMGCFMIC 75R0 OHM +5% 100MI0W
R16	Resistor	10134710	RMGCFMIC 75R0 OHM +5% 100MI0W
R17	Resistor	10134650	RMGCFMIC 47R0 OHM +5% 100MI0W
R18	Resistor	10328750	RMGCFMIC 0 OHM +0% 100MI0W
R20	Resistor	10134650	RMGCFMIC 47R0 OHM +5% 100MI0W
R25	Resistor	10134650	RMGCFMIC 47R0 OHM +5% 100MI0W
R32	Resistor	10134650	RMGCFMIC 47R0 OHM +5% 100MI0W
R33	Resistor	10134590	RMGCFMIC 33R0 OHM +5% 100MI0W
R34	Resistor	10134650	RMGCFMIC 47R0 OHM +5% 100MI0W
R35	Resistor	10134650	RMGCFMIC 47R0 OHM +5% 100MI0W
R37	Resistor	10134650	RMGCFMIC 47R0 OHM +5% 100MI0W
R45	Resistor	10134650	RMGCFMIC 47R0 OHM +5% 100MI0W
R48	Resistor	10134650	RMGCFMIC 47R0 OHM +5% 100MI0W
R49	Resistor	10328750	RMGCFMIC 0 OHM +0% 100MI0W
R50	Resistor	10328750	RMGCFMIC 0 OHM +0% 100MI0W
R52	Resistor	10328750	RMGCFMIC 0 OHM +0% 100MI0W
R53	Resistor	10134650	RMGCFMIC 47R0 OHM +5% 100MI0W
R54	Resistor	10134650	RMGCFMIC 47R0 OHM +5% 100MI0W
R55	Resistor	10134650	RMGCFMIC 47R0 OHM +5% 100MI0W
R56	Resistor	10134650	RMGCFMIC 47R0 OHM +5% 100MI0W

DV-SP302(B) UDD1N PART LIST

R6	Resistor	10134710	RMGCFMIC 75R0 OHM +5% 100MI0W
R64	Resistor	10135010	RMGCFMIC 10K0 OHM +5% 100MI0W
R66	Resistor	10135010	RMGCFMIC 10K0 OHM +5% 100MI0W
R70	Resistor	10328750	RMGCFMIC 0 OHM +0% 100MI0W
R71	Resistor	10328750	RMGCFMIC 0 OHM +0% 100MI0W
R77	Resistor	10328750	RMGCFMIC 0 OHM +0% 100MI0W
R853	Resistor	10135010	RMGCFMIC 10K0 OHM +5% 100MI0W
RS1	Resistor	10135010	RMGCFMIC 10K0 OHM +5% 100MI0W
RS10	Resistor	10328750	RMGCFMIC 0 OHM +0% 100MI0W
RS11	Resistor	10328750	RMGCFMIC 0 OHM +0% 100MI0W
RS16	Resistor	10135790	RMGCFMIC 1K2 OHM +5% 100MI0W
RS17	Resistor	10135010	RMGCFMIC 10K0 OHM +5% 100MI0W
RS2	Resistor	10135340	RMGCFMIC 100K0 OHM +5% 100MI0W
RS25	Resistor	10135980	RMGCFMIC 6K8 OHM +5% 100MI0W
RS34	Resistor	20736640	RMGCFMIC 12K1 OHM +1% 100MI0W
RS43	Resistor	10135770	RMGCFMIC 1K0 OHM +5% 100MI0W
RS8	Resistor	10135290	RMGCFMIC 68K0 OHM +5% 100MI0W
RS87	Resistor	10328750	RMGCFMIC 0 OHM +0% 100MI0W
RS9	Resistor	10135090	RMGCFMIC 20K0 OHM +5% 100MI0W
C811	Capacitor Electric	20267830	CE 47U0F +20% 16.0V 85C 20251640
C814	Capacitor Electric	20267830	CE 47U0F +20% 16.0V 85C 20251640
C816	Capacitor Electric	20267830	CE 47U0F +20% 16.0V 85C 20251640
C819	Capacitor Electric	20268180	CE 330U0F +20% 16.0V 85C
C825	Capacitor Electric	20268180	CE 330U0F +20% 16.0V 85C
C832	Capacitor Electric	20267830	CE 47U0F +20% 16.0V 85C 20251640
C834	Capacitor Electric	20268180	CE 330U0F +20% 16.0V 85C
C835	Capacitor Electric	20267830	CE 47U0F +20% 16.0V 85C 20251640
C841	Capacitor Electric	20267830	CE 47U0F +20% 16.0V 85C 20251640
CD1	Capacitor Electric	20268620	CE 470U0F +20% 6.3V 85C
CD2	Capacitor Electric	20268840	CE 1U0F +20% 50.0V 85C
CD28	Capacitor Electric	20268940	CE 100U0F +20% 10.0V 85C
CD29	Capacitor Electric	20268880	CE 10U0F +20% 50.0V 85C
CD3	Capacitor Electric	20268840	CE 1U0F +20% 50.0V 85C
CD30	Capacitor Electric	20269110	CE 330U0F +20% 6.3V 85C
CD36	Capacitor Electric	20252650	CE 220U0F +20% 16.0V 85C
CD37	Capacitor Electric	20268940	CE 100U0F +20% 10.0V 85C
CD38	Capacitor Electric	20268940	CE 100U0F +20% 10.0V 85C
CD40	Capacitor Electric	20267830	CE 47U0F +20% 16.0V 85C 20251640
CD41	Capacitor Electric	20267830	CE 47U0F +20% 16.0V 85C 20251640
CD42	Capacitor Electric	15002130	CE 10U0F +20% 16.0V 85C
CD44	Capacitor Electric	15002130	CE 10U0F +20% 16.0V 85C
CD45	Capacitor Electric	20268940	CE 100U0F +20% 10.0V 85C
CD46	Capacitor Electric	20268940	CE 100U0F +20% 10.0V 85C
CD46	Capacitor Electric	80434330	CE 100U0F +20% 10.0V 85C
CD47	Capacitor Electric	20268870	CE 4U7F +20% 50.0V 85C
CD48	Capacitor Electric	15002130	CE 10U0F +20% 16.0V 85C
CD51	Capacitor Electric	15002130	CE 10U0F +20% 16.0V 85C
CD52	Capacitor Electric	20268940	CE 100U0F +20% 10.0V 85C
CD53	Capacitor Electric	15002130	CE 10U0F +20% 16.0V 85C
CD54	Capacitor Electric	15002130	CE 10U0F +20% 16.0V 85C
CD55	Capacitor Electric	15002130	CE 10U0F +20% 16.0V 85C
CD56	Capacitor Electric	15002130	CE 10U0F +20% 16.0V 85C
CD62	Capacitor Electric	20267830	CE 47U0F +20% 16.0V 85C 20251640
CD65	Capacitor Electric	15002130	CE 10U0F +20% 16.0V 85C
CD67	Capacitor Electric	20268620	CE 470U0F +20% 6.3V 85C
CD81	Capacitor Electric	15002130	CE 10U0F +20% 16.0V 85C
IC1	IC	20977940	IC-REGSPECKT KIA7042AP
B23	Capacitor	20288040	CCCFMIC 100N0F +80% -20% 16.0V Y5V
B3	Capacitor	20288040	CCCFMIC 100N0F +80% -20% 16.0V Y5V
B44	Capacitor	20288040	CCCFMIC 100N0F +80% -20% 16.0V Y5V
B47	Capacitor	20288040	CCCFMIC 100N0F +80% -20% 16.0V Y5V
B48	Capacitor	20288040	CCCFMIC 100N0F +80% -20% 16.0V Y5V
B6	Capacitor	20288040	CCCFMIC 100N0F +80% -20% 16.0V Y5V
BC19	Capacitor	20288040	CCCFMIC 100N0F +80% -20% 16.0V Y5V
C10	Capacitor	20506680	CCCFMIC 470P0F +5% -5% 50.0V NP0

DV-SP302(B) UDD1N PART LIST

C12	Capacitor	20506680	CCCFMIC 470P0F +5% -5% 50.0V NP0
C13	Capacitor	20678060	CCCFMIC 27P0F +5% -5% 50.0V NP0
C14	Capacitor	20678060	CCCFMIC 27P0F +5% -5% 50.0V NP0
C15	Capacitor	10138550	CCCFMIC 1N0F +10% -10% 50.0V X7R
C16	Capacitor	20288040	CCCFMIC 100N0F +80% -20% 16.0V Y5V
C2	Capacitor	20506680	CCCFMIC 470P0F +5% -5% 50.0V NP0
C20	Capacitor	20288040	CCCFMIC 100N0F +80% -20% 16.0V Y5V
C4	Capacitor	20506680	CCCFMIC 470P0F +5% -5% 50.0V NP0
C557	Capacitor	20288040	CCCFMIC 100N0F +80% -20% 16.0V Y5V
C8	Capacitor	20288040	CCCFMIC 100N0F +80% -20% 16.0V Y5V
C812	Capacitor	10138590	CCCFMIC 1N5F +10% -10% 50.0V X7R
C813	Capacitor	20468970	CCCFMIN 330P0F +5% -5% 50.0V NP0
C815	Capacitor	10138590	CCCFMIC 1N5F +10% -10% 50.0V X7R
C817	Capacitor	20506590	CCCFMIC 100P0F +5% -5% 50.0V NP0
C818	Capacitor	15070890	CCCFMIN 820P0F +5% -5% 50.0V NP0
C820	Capacitor	20947390	CCCFMIC 100N0F +10% -10% 16.0V X7R
C827	Capacitor	11059320	CCCFMIN 1N0F +10% -10% 50.0V X7R
C829	Capacitor	20468970	CCCFMIN 330P0F +5% -5% 50.0V NP0
C830	Capacitor	20506590	CCCFMIC 100P0F +5% -5% 50.0V NP0
C831	Capacitor	30939220	CCCFMIN 1N2F +10% -10% 50.0V X7R
C837	Capacitor	20506590	CCCFMIC 100P0F +5% -5% 50.0V NP0
C838	Capacitor	15070890	CCCFMIN 820P0F +5% -5% 50.0V NP0
C839	Capacitor	30939220	CCCFMIN 1N2F +10% -10% 50.0V X7R
C840	Capacitor	11059320	CCCFMIN 1N0F +10% -10% 50.0V X7R
C842	Capacitor	20506590	CCCFMIC 100P0F +5% -5% 50.0V NP0
CC1	Capacitor	10138550	CCCFMIC 1N0F +10% -10% 50.0V X7R
CC12	Capacitor	20947600	CCCFMIN 1U0F +10% -10% 10.0V X7R
CC13	Capacitor	20288040	CCCFMIC 100N0F +80% -20% 16.0V Y5V
CC2	Capacitor	10138550	CCCFMIC 1N0F +10% -10% 50.0V X7R
CC21	Capacitor	20288010	CCCFMIC 47N0F +80% -20% 50.0V Y5V
CC23	Capacitor	10138390	CCCFMIC 560P0F +10% -10% 50.0V X7R
CC25	Capacitor	20506570	CCCFMIC 47P0F +5% -5% 50.0V NP0
CC27	Capacitor	20288040	CCCFMIC 100N0F +80% -20% 16.0V Y5V
CC3	Capacitor	10138550	CCCFMIC 1N0F +10% -10% 50.0V X7R
CC35	Capacitor	20506560	CCCFMIC 33P0F +5% -5% 50.0V NP0
CC36	Capacitor	20506560	CCCFMIC 33P0F +5% -5% 50.0V NP0
CC37	Capacitor	20506560	CCCFMIC 33P0F +5% -5% 50.0V NP0
CC39	Capacitor	20288040	CCCFMIC 100N0F +80% -20% 16.0V Y5V
CC4	Capacitor	10138550	CCCFMIC 1N0F +10% -10% 50.0V X7R
CC40	Capacitor	20288040	CCCFMIC 100N0F +80% -20% 16.0V Y5V
CC41	Capacitor	20506680	CCCFMIC 470P0F +5% -5% 50.0V NP0
CC42	Capacitor	20288040	CCCFMIC 100N0F +80% -20% 16.0V Y5V
CC43	Capacitor	20506680	CCCFMIC 470P0F +5% -5% 50.0V NP0
CC5	Capacitor	20288040	CCCFMIC 100N0F +80% -20% 16.0V Y5V
CC50	Capacitor	20288040	CCCFMIC 100N0F +80% -20% 16.0V Y5V
CC51	Capacitor	10138620	CCCFMIC 2N2F +10% -10% 50.0V X7R
CC52	Capacitor	10138620	CCCFMIC 2N2F +10% -10% 50.0V X7R
CC53	Capacitor	10138620	CCCFMIC 2N2F +10% -10% 50.0V X7R
CC54	Capacitor	20288010	CCCFMIC 47N0F +80% -20% 50.0V Y5V
CC56	Capacitor	10138620	CCCFMIC 2N2F +10% -10% 50.0V X7R
CC60	Capacitor	20288040	CCCFMIC 100N0F +80% -20% 16.0V Y5V
CC65	Capacitor	10375220	CCCFMIC 160P0F +5% -5% 50.0V NP0
CC66	Capacitor	10138990	CCCFMIC 33N0F +80% -20% 50.0V Y5V
CC67	Capacitor	10138960	CCCFMIC 10N0F +10% -10% 50.0V X7R
CC7	Capacitor	10138710	CCCFMIC 4N7F +10% -10% 50.0V X7R
CC70	Capacitor	20506590	CCCFMIC 100P0F +5% -5% 50.0V NP0
CC72	Capacitor	20506590	CCCFMIC 100P0F +5% -5% 50.0V NP0
CC73	Capacitor	10138710	CCCFMIC 4N7F +10% -10% 50.0V X7R
CC75	Capacitor	20288040	CCCFMIC 100N0F +80% -20% 16.0V Y5V
CC77	Capacitor	20288040	CCCFMIC 100N0F +80% -20% 16.0V Y5V
CC8	Capacitor	20288040	CCCFMIC 100N0F +80% -20% 16.0V Y5V
CC83	Capacitor	20288040	CCCFMIC 100N0F +80% -20% 16.0V Y5V
CC94	Capacitor	20288040	CCCFMIC 100N0F +80% -20% 16.0V Y5V
CP5	Socket	55009830	CONN 0.5MM 24 FE ST NAT 52559-2492(MOLEX) 3299 0
CS1	Capacitor	10138420	CCCFMIC 820P0F +10% -10% 50.0V X7R

DV-SP302(B) UDD1N PART LIST

D802	Diode	20496510	D-SLP 1SS355 35.0V 225MI0A
D803	Diode Zener	55171070	D-ZENER UDZS 2.2 B 2.2V 200MI0W
D804	Diode	20496510	D-SLP 1SS355 35.0V 225MI0A
DS1	Diode	20496510	D-SLP 1SS355 35.0V 225MI0A
DS2	Diode	20496510	D-SLP 1SS355 35.0V 225MI0A
DS3	Diode	20496510	D-SLP 1SS355 35.0V 225MI0A
DS4	Diode	20496510	D-SLP 1SS355 35.0V 225MI0A
DS5	Diode	20496510	D-SLP 1SS355 35.0V 225MI0A
FB11	Ferrite core	80440510	RMGCFMIN 0 OHM +0% 100MI0W
FB12	Ferrite core	80440510	RMGCFMIN 0 OHM +0% 100MI0W
FB14	Ferrite core	80440510	RMGCFMIN 0 OHM +0% 100MI0W
FB15	Ferrite core	80440510	RMGCFMIN 0 OHM +0% 100MI0W
FB16	Ferrite core	80440510	RMGCFMIN 0 OHM +0% 100MI0W
FB17	Ferrite core	80440510	RMGCFMIN 0 OHM +0% 100MI0W
FB2	Ferrite core	80440510	RMGCFMIN 0 OHM +0% 100MI0W
FB20	Ferrite core	14009120	LF-SMD 3U9H +10%
FB21	Ferrite core	14009120	LF-SMD 3U9H +10%
FB3	Ferrite core	14040410	LF-SMD 3U3H +10%
FB39	Ferrite core	10328750	RMGCFMIC 0 OHM +0% 100MI0W
FB4	Ferrite core	80440510	RMGCFMIN 0 OHM +0% 100MI0W
FB5	Ferrite core	80440510	RMGCFMIN 0 OHM +0% 100MI0W
FB6	Ferrite core	80440510	RMGCFMIN 0 OHM +0% 100MI0W
FB7	Ferrite core	80440510	RMGCFMIN 0 OHM +0% 100MI0W
FB8	Ferrite core	80440510	RMGCFMIN 0 OHM +0% 100MI0W
IC10	IC	55903880	IC-VIDEOPROC ES6629F PQFP VIDEO PROCESSOR
IC12	IC	55136720	IC-MEMFLASH M29W800AT90N1
IC12	IC	5513672A	IC-MEMFLASH M29W800DT70N1
IC12	IC	55248560	IC-MEMFLASH M29W800DT-70N6 TSOP-48
IC14	IC	21149670	IC-SWITCH MM1507XNRE VIDEO
IC15	IC	55929740	IC-CONV WM8761 SOIC14 D/A
IC16	IC	21149670	IC-SWITCH MM1507XNRE VIDEO
IC2	IC	55884390	IC-LOWFREQ ES6603 DSP
IC3	IC	55768910	IC-REGPOSFXD LT1117CST NORMAL
IC4	IC	55768910	IC-REGPOSFXD LT1117CST NORMAL
IC5	IC	55884380	IC-OPERAMP TL3472CDR, SO8 DUAL OP
IC6	IC	10682770	IC-MOTORCIR BA5954FP MOTOR DRIVER
IC7	IC	55930950	IC-MOTORCIR BA6287F MOTOR DRIVER
IC8	IC	20940740	IC-EEPROM M24C02WMN6
IC82	IC	55128990	IC-OPERAMP BA4560F DUAL OP
IC83	IC	55128990	IC-OPERAMP BA4560F DUAL OP
IC86	IC	55128990	IC-OPERAMP BA4560F DUAL OP
IC87	IC	55128990	IC-OPERAMP BA4560F DUAL OP
IC9	IC	55236130	IC-DRAM 64M HY57V641620HGT-H 133MHZ
L1	Inductor	55800400	LF-SMD 2U7H +10%
L2	Inductor	55800400	LF-SMD 2U7H +10%
L3	Inductor	55800400	LF-SMD 2U7H +10%
L5	Inductor	55800400	LF-SMD 2U7H +10%
L6	Inductor	55800400	LF-SMD 2U7H +10%
Q20	Transistor	55201820	TR-SHPLF 2SB1132 P 2.0A 32V
Q208	Transistor	55133190	TR-SSD DTA114YKA P 10K0 OHM 47K0 OHM
Q209	Transistor	55133180	TR-SSD DTC114YKA N 10K0 OHM 47K0 OHM
Q21	Transistor	55201820	TR-SHPLF 2SB1132 P 2.0A 32V
Q3	Transistor	55884270	TR-M 2SK2731 N 200MI0W 200MI0A
Q3	Transistor	55930750	TR-M LBSS138LT1(LESHAN) N 225MI0W 200MI0A
Q4	Transistor	55884270	TR-M 2SK2731 N 200MI0W 200MI0A
Q4	Transistor	55930750	TR-M LBSS138LT1(LESHAN) N 225MI0W 200MI0A
Q801	Transistor	55039430	TR-SSD DTC323TK N 2K2 OHM
Q802	Transistor	55039430	TR-SSD DTC323TK N 2K2 OHM
Q803	Transistor	55039430	TR-SSD DTC323TK N 2K2 OHM
Q804	Transistor	55133190	TR-SSD DTA114YKA P 10K0 OHM 47K0 OHM
Q805	Transistor	55133180	TR-SSD DTC114YKA N 10K0 OHM 47K0 OHM
Q806	Transistor	55039430	TR-SSD DTC323TK N 2K2 OHM
Q807	Transistor	20970460	TR-SLPSWA KTC3875Y N 50V 150MI0A
QS2	Transistor	55133330	TR-SSD DTC114TKA N 10K0 OHM
R1	Resistor	80440510	RMGCFMIN 0 OHM +0% 100MI0W

DV-SP302(B) UDD1N PART LIST

R10	Resistor	10135940	RMGCFMIC 4K7 OHM +5% 100MI0W
R101	Resistor	10134830	RMGCFMIC 220R0 OHM +5% 100MI0W
R14	Resistor	10328750	RMGCFMIC 0 OHM +0% 100MI0W
R154	Resistor	10134830	RMGCFMIC 220R0 OHM +5% 100MI0W
R157	Resistor	10328750	RMGCFMIC 0 OHM +0% 100MI0W
R166	Resistor	10328750	RMGCFMIC 0 OHM +0% 100MI0W
R177	Resistor	10135010	RMGCFMIC 10K0 OHM +5% 100MI0W
R178	Resistor	10135010	RMGCFMIC 10K0 OHM +5% 100MI0W
R19	Resistor	10328750	RMGCFMIC 0 OHM +0% 100MI0W
R2	Resistor	10328750	RMGCFMIC 0 OHM +0% 100MI0W
R21	Resistor	10135770	RMGCFMIC 1K0 OHM +5% 100MI0W
R22	Resistor	10135770	RMGCFMIC 1K0 OHM +5% 100MI0W
R23	Resistor	10134590	RMGCFMIC 33R0 OHM +5% 100MI0W
R24	Resistor	10134590	RMGCFMIC 33R0 OHM +5% 100MI0W
R26	Resistor	10328750	RMGCFMIC 0 OHM +0% 100MI0W
R27	Resistor	10135940	RMGCFMIC 4K7 OHM +5% 100MI0W
R28	Resistor	10134590	RMGCFMIC 33R0 OHM +5% 100MI0W
R29	Resistor	10134830	RMGCFMIC 220R0 OHM +5% 100MI0W
R3	Resistor	10134650	RMGCFMIC 47R0 OHM +5% 100MI0W
R30	Resistor	10134830	RMGCFMIC 220R0 OHM +5% 100MI0W
R31	Resistor	10134830	RMGCFMIC 220R0 OHM +5% 100MI0W
R321	Resistor	10328750	RMGCFMIC 0 OHM +0% 100MI0W
R36	Resistor	10134740	RMGCFMIC 100R0 OHM +5% 100MI0W
R38	Resistor	10134740	RMGCFMIC 100R0 OHM +5% 100MI0W
R39	Resistor	10134740	RMGCFMIC 100R0 OHM +5% 100MI0W
R4	Resistor	10134650	RMGCFMIC 47R0 OHM +5% 100MI0W
R40	Resistor	10134740	RMGCFMIC 100R0 OHM +5% 100MI0W
R41	Resistor	10134740	RMGCFMIC 100R0 OHM +5% 100MI0W
R42	Resistor	10135340	RMGCFMIC 100K0 OHM +5% 100MI0W
R43	Resistor	10328750	RMGCFMIC 0 OHM +0% 100MI0W
R44	Resistor	10134740	RMGCFMIC 100R0 OHM +5% 100MI0W
R46	Resistor	10134740	RMGCFMIC 100R0 OHM +5% 100MI0W
R47	Resistor	10134740	RMGCFMIC 100R0 OHM +5% 100MI0W
R5	Resistor	10134650	RMGCFMIC 47R0 OHM +5% 100MI0W
R508	Resistor	10135940	RMGCFMIC 4K7 OHM +5% 100MI0W
R51	Resistor	10328750	RMGCFMIC 0 OHM +0% 100MI0W
R510	Resistor	10135340	RMGCFMIC 100K0 OHM +5% 100MI0W
R511	Resistor	10135090	RMGCFMIC 20K0 OHM +5% 100MI0W
R536	Resistor	10135080	RMGCFMIC 18K0 OHM +5% 100MI0W
R540	Resistor	10328750	RMGCFMIC 0 OHM +0% 100MI0W
R541	Resistor	10328750	RMGCFMIC 0 OHM +0% 100MI0W
R566	Resistor	10135010	RMGCFMIC 10K0 OHM +5% 100MI0W
R58	Resistor	10134590	RMGCFMIC 33R0 OHM +5% 100MI0W
R60	Resistor	10134590	RMGCFMIC 33R0 OHM +5% 100MI0W
R604	Resistor	10135770	RMGCFMIC 1K0 OHM +5% 100MI0W
R605	Resistor	10135010	RMGCFMIC 10K0 OHM +5% 100MI0W
R606	Resistor	10134740	RMGCFMIC 100R0 OHM +5% 100MI0W
R608	Resistor	10135420	RMGCFMIC 220K0 OHM +5% 100MI0W
R63	Resistor	10134590	RMGCFMIC 33R0 OHM +5% 100MI0W
R65	Resistor	10134590	RMGCFMIC 33R0 OHM +5% 100MI0W
R7	Resistor	10135940	RMGCFMIC 4K7 OHM +5% 100MI0W
R72	Resistor	10328750	RMGCFMIC 0 OHM +0% 100MI0W
R73	Resistor	10135940	RMGCFMIC 4K7 OHM +5% 100MI0W
R74	Resistor	10328750	RMGCFMIC 0 OHM +0% 100MI0W
R75	Resistor	10134900	RMGCFMIC 430R0 OHM +5% 100MI0W
R78	Resistor	10328750	RMGCFMIC 0 OHM +0% 100MI0W
R79	Resistor	10134880	RMGCFMIC 360R0 OHM +5% 100MI0W
R8	Resistor	10135940	RMGCFMIC 4K7 OHM +5% 100MI0W
R80	Resistor	10134870	RMGCFMIC 330R0 OHM +5% 100MI0W
R809	Resistor	10134910	RMGCFMIC 470R0 OHM +5% 100MI0W
R815	Resistor	10135960	RMGCFMIC 5K6 OHM +5% 100MI0W
R818	Resistor	10135960	RMGCFMIC 5K6 OHM +5% 100MI0W
R819	Resistor	10134740	RMGCFMIC 100R0 OHM +5% 100MI0W
R822	Resistor	10135010	RMGCFMIC 10K0 OHM +5% 100MI0W
R826	Resistor	10135340	RMGCFMIC 100K0 OHM +5% 100MI0W

DV-SP302(B) UDD1N PART LIST

R827	Resistor	10134410	RMGCFMIC 10R0 OHM +5% 100MI0W
R828	Resistor	10135220	RMGCFMIC 47K0 OHM +5% 100MI0W
R829	Resistor	10134740	RMGCFMIC 100R0 OHM +5% 100MI0W
R830	Resistor	10135340	RMGCFMIC 100K0 OHM +5% 100MI0W
R832	Resistor	10135820	RMGCFMIC 1K5 OHM +5% 100MI0W
R835	Resistor	10135220	RMGCFMIC 47K0 OHM +5% 100MI0W
R836	Resistor	10134740	RMGCFMIC 100R0 OHM +5% 100MI0W
R837	Resistor	10328750	RMGCFMIC 0 OHM +0% 100MI0W
R838	Resistor	10134910	RMGCFMIC 470R0 OHM +5% 100MI0W
R839	Resistor	10135970	RMGCFMIC 6K2 OHM +5% 100MI0W
R840	Resistor	10135970	RMGCFMIC 6K2 OHM +5% 100MI0W
R841	Resistor	10135770	RMGCFMIC 1K0 OHM +5% 100MI0W
R842	Resistor	10135940	RMGCFMIC 4K7 OHM +5% 100MI0W
R843	Resistor	10135010	RMGCFMIC 10K0 OHM +5% 100MI0W
R845	Resistor	10135820	RMGCFMIC 1K5 OHM +5% 100MI0W
R846	Resistor	10135120	RMGCFMIC 22K0 OHM +5% 100MI0W
R847	Resistor	10135820	RMGCFMIC 1K5 OHM +5% 100MI0W
R848	Resistor	10135120	RMGCFMIC 22K0 OHM +5% 100MI0W
R849	Resistor	10135820	RMGCFMIC 1K5 OHM +5% 100MI0W
R850	Resistor	10135120	RMGCFMIC 22K0 OHM +5% 100MI0W
R851	Resistor	10135120	RMGCFMIC 22K0 OHM +5% 100MI0W
R852	Resistor	10135820	RMGCFMIC 1K5 OHM +5% 100MI0W
R858	Resistor	10134740	RMGCFMIC 100R0 OHM +5% 100MI0W
R859	Resistor	10135340	RMGCFMIC 100K0 OHM +5% 100MI0W
R860	Resistor	10135010	RMGCFMIC 10K0 OHM +5% 100MI0W
R861	Resistor	10135010	RMGCFMIC 10K0 OHM +5% 100MI0W
R862	Resistor	10135120	RMGCFMIC 22K0 OHM +5% 100MI0W
R863	Resistor	10135920	RMGCFMIC 3K9 OHM +5% 100MI0W
R864	Resistor	10135920	RMGCFMIC 3K9 OHM +5% 100MI0W
R867	Resistor	10134410	RMGCFMIC 10R0 OHM +5% 100MI0W
R868	Resistor	10134740	RMGCFMIC 100R0 OHM +5% 100MI0W
R875	Resistor	10135820	RMGCFMIC 1K5 OHM +5% 100MI0W
R876	Resistor	10135820	RMGCFMIC 1K5 OHM +5% 100MI0W
R879	Resistor	10135120	RMGCFMIC 22K0 OHM +5% 100MI0W
R880	Resistor	10135120	RMGCFMIC 22K0 OHM +5% 100MI0W
R881	Resistor	10135820	RMGCFMIC 1K5 OHM +5% 100MI0W
R882	Resistor	10135120	RMGCFMIC 22K0 OHM +5% 100MI0W
R883	Resistor	10134740	RMGCFMIC 100R0 OHM +5% 100MI0W
R884	Resistor	10135340	RMGCFMIC 100K0 OHM +5% 100MI0W
R9	Resistor	10135940	RMGCFMIC 4K7 OHM +5% 100MI0W
RN1	Resistor	15271870	RCA 10R0 OHM +5% 62MI5W 4
RN10	Resistor	15271870	RCA 10R0 OHM +5% 62MI5W 4
RN11	Resistor	15271870	RCA 10R0 OHM +5% 62MI5W 4
RN2	Resistor	15271870	RCA 10R0 OHM +5% 62MI5W 4
RN3	Resistor	15271870	RCA 10R0 OHM +5% 62MI5W 4
RN4	Resistor	15271870	RCA 10R0 OHM +5% 62MI5W 4
RN5	Resistor	15271870	RCA 10R0 OHM +5% 62MI5W 4
RN6	Resistor	15271870	RCA 10R0 OHM +5% 62MI5W 4
RN7	Resistor	15271870	RCA 10R0 OHM +5% 62MI5W 4
RN8	Resistor	15271870	RCA 10R0 OHM +5% 62MI5W 4
RN9	Resistor	15271870	RCA 10R0 OHM +5% 62MI5W 4
RR19	Resistor	10328750	RMGCFMIC 0 OHM +0% 100MI0W
RR20	Resistor	10328750	RMGCFMIC 0 OHM +0% 100MI0W
RR21	Resistor	10135980	RMGCFMIC 6K8 OHM +5% 100MI0W
RR22	Resistor	10135980	RMGCFMIC 6K8 OHM +5% 100MI0W
RR24	Resistor	10135950	RMGCFMIC 5K1 OHM +5% 100MI0W
RR26	Resistor	10135980	RMGCFMIC 6K8 OHM +5% 100MI0W
RR28	Resistor	10134590	RMGCFMIC 33R0 OHM +5% 100MI0W
RR29	Resistor	10134590	RMGCFMIC 33R0 OHM +5% 100MI0W
RS0	Resistor	10135010	RMGCFMIC 10K0 OHM +5% 100MI0W
RS13	Resistor	10328750	RMGCFMIC 0 OHM +0% 100MI0W
RS15	Resistor	10135170	RMGCFMIC 33K0 OHM +5% 100MI0W
RS18	Resistor	10135950	RMGCFMIC 5K1 OHM +5% 100MI0W
RS19	Resistor	10328750	RMGCFMIC 0 OHM +0% 100MI0W
RS20	Resistor	10328750	RMGCFMIC 0 OHM +0% 100MI0W

DV-SP302(B) UDD1N PART LIST

RS27	Resistor	10134590	RMGCFMIC 33R0 OHM +5% 100MI0W
RS3	Resistor	10135900	RMGCFMIC 3K3 OHM +5% 100MI0W
RS37	Resistor	10328750	RMGCFMIC 0 OHM +0% 100MI0W
RS39	Resistor	10328750	RMGCFMIC 0 OHM +0% 100MI0W
RS4	Resistor	10135900	RMGCFMIC 3K3 OHM +5% 100MI0W
RS41	Resistor	10328750	RMGCFMIC 0 OHM +0% 100MI0W
RS44	Resistor	10135010	RMGCFMIC 10K0 OHM +5% 100MI0W
RS45	Resistor	10134410	RMGCFMIC 10R0 OHM +5% 100MI0W
RS46	Resistor	10134410	RMGCFMIC 10R0 OHM +5% 100MI0W
RS47	Resistor	10135170	RMGCFMIC 33K0 OHM +5% 100MI0W
RS48	Resistor	10135120	RMGCFMIC 22K0 OHM +5% 100MI0W
RS49	Resistor	10135220	RMGCFMIC 47K0 OHM +5% 100MI0W
RS5	Resistor	10135900	RMGCFMIC 3K3 OHM +5% 100MI0W
RS50	Resistor	10135770	RMGCFMIC 1K0 OHM +5% 100MI0W
RS51	Resistor	10135170	RMGCFMIC 33K0 OHM +5% 100MI0W
RS52	Resistor	10134590	RMGCFMIC 33R0 OHM +5% 100MI0W
RS53	Resistor	10135030	RMGCFMIC 12K0 OHM +5% 100MI0W
RS54	Resistor	10135220	RMGCFMIC 47K0 OHM +5% 100MI0W
RS55	Resistor	10135790	RMGCFMIC 1K2 OHM +5% 100MI0W
RS56	Resistor	10135770	RMGCFMIC 1K0 OHM +5% 100MI0W
RS58	Resistor	10328750	RMGCFMIC 0 OHM +0% 100MI0W
RS6	Resistor	10135900	RMGCFMIC 3K3 OHM +5% 100MI0W
RS66	Resistor	15268430	RMGCFMIN 1R0 OHM +5% 100MI0W
RS67	Resistor	15268430	RMGCFMIN 1R0 OHM +5% 100MI0W
RS68	Resistor	15268430	RMGCFMIN 1R0 OHM +5% 100MI0W
RS69	Resistor	15268430	RMGCFMIN 1R0 OHM +5% 100MI0W
RS7	Resistor	10135010	RMGCFMIC 10K0 OHM +5% 100MI0W
RS70	Resistor	10135010	RMGCFMIC 10K0 OHM +5% 100MI0W
RS71	Resistor	10135820	RMGCFMIC 1K5 OHM +5% 100MI0W
RS73	Resistor	10135620	RMGCFMIC 1M0 OHM +10% 100MI0W
RS74	Resistor	10135120	RMGCFMIC 22K0 OHM +5% 100MI0W
RS76	Resistor	10135940	RMGCFMIC 4K7 OHM +5% 100MI0W
RS77	Resistor	10135010	RMGCFMIC 10K0 OHM +5% 100MI0W
RS79	Resistor	10135820	RMGCFMIC 1K5 OHM +5% 100MI0W
RS82	Resistor	10135120	RMGCFMIC 22K0 OHM +5% 100MI0W

OUTPUT BOARD DV-SP302

CIRCUIT NO.	PART NAME	PART NO.	DESCRIPTION
C802	Capacitor	20269080	CE 220U0F +20% 10.0V 85C
C812	Capacitor	20268840	CE 1U0F +20% 50.0V 85C
CN81	Capacitor	55548440	WIRECONASY DL 2.0MM 15P 80MM UL1007 RIBBON 26 1
CN83	Capacitor	55933020	WIRECONASY UNIQUE 2P 120MM UL1533 SHIELD 26 1
IC86	IC	5556195A	D-LEM GP1FA554TZ RD RND CL
JK81	Jack	55164750	CON PHONO SCKT W/GN 1 PINS
JK82	Jack	55175260	CON PHONO SCKT RCA 2P W/GND CAP JE020059PN
JK83	Jack	55191220	CON DIN SCKT MIX SOCKET RCA & S-VIDEO
JK84	Jack	55149420	CON PHONO SCKT RCA-314P RBG
JK85	Jack	55739620	CON PHONO SCKT EST-J35228 2 PINS
C801	Capacitor	11059440	CCCFMIN 10P0F +0P25F -0P25F 50.0V NP0
C805	Capacitor	30939240	CCCFMIN 22N0F +10% -10% 50.0V X7R
C806	Capacitor	30939240	CCCFMIN 22N0F +10% -10% 50.0V X7R
C809	Capacitor	20267290	CCCFMIN 100N0F +80% -20% 50.0V Y5V
C810	Capacitor	20267290	CCCFMIN 100N0F +80% -20% 50.0V Y5V
C811	Capacitor	11059440	CCCFMIN 10P0F +0P25F -0P25F 50.0V NP0
C813	Capacitor	20251250	CCCFMIN 47N0F +10% -10% 50.0V X7R
C814	Capacitor	20267290	CCCFMIN 100N0F +80% -20% 50.0V Y5V
C815	Capacitor	11058670	CCCFMIN 100P0F +5% -5% 50.0V NP0
C817	Capacitor	11059440	CCCFMIN 10P0F +0P25F -0P25F 50.0V NP0
C818	Capacitor	11059440	CCCFMIN 10P0F +0P25F -0P25F 50.0V NP0
C819	Capacitor	11058670	CCCFMIN 100P0F +5% -5% 50.0V NP0
D810	Diode	55177710	D-ZENER UDZS 5.1 B 5.1V 200MI0W
D811	Diode	55177710	D-ZENER UDZS 5.1 B 5.1V 200MI0W
D812	Diode	55177710	D-ZENER UDZS 5.1 B 5.1V 200MI0W
D813	Diode	55177710	D-ZENER UDZS 5.1 B 5.1V 200MI0W

DV-SP302(B) UDD1N PART LIST

D814	Diode	55177710	D-ZENER UDZS 5.1 B 5.1V 200MI0W
D815	Diode	55177710	D-ZENER UDZS 5.1 B 5.1V 200MI0W
D816	Diode	55177710	D-ZENER UDZS 5.1 B 5.1V 200MI0W
D817	Diode	55177710	D-ZENER UDZS 5.1 B 5.1V 200MI0W
D818	Diode	55177710	D-ZENER UDZS 5.1 B 5.1V 200MI0W
D819	Diode	55177710	D-ZENER UDZS 5.1 B 5.1V 200MI0W
D820	Diode	55177710	D-ZENER UDZS 5.1 B 5.1V 200MI0W
D821	Diode	55177710	D-ZENER UDZS 5.1 B 5.1V 200MI0W
IC81	IC	55133310	IC-LOGIC M74HCU04M1R INVERTER HCT
L801	Inductor	55800380	FBEAD SURFACE MT 120OHM SZ2012G121T
L802	Inductor	55800380	FBEAD SURFACE MT 120OHM SZ2012G121T
L803	Inductor	55800380	FBEAD SURFACE MT 120OHM SZ2012G121T
L804	Inductor	55800380	FBEAD SURFACE MT 120OHM SZ2012G121T
L805	Inductor	55800380	FBEAD SURFACE MT 120OHM SZ2012G121T
Q801	Transistor	55138710	TR-SLPSWA KTD1304 N 20V 300MI0A
Q802	Transistor	55138710	TR-SLPSWA KTD1304 N 20V 300MI0A
Q803	Transistor	55138710	TR-SLPSWA KTD1304 N 20V 300MI0A
Q804	Transistor	55138710	TR-SLPSWA KTD1304 N 20V 300MI0A
Q805	Transistor	55138710	TR-SLPSWA KTD1304 N 20V 300MI0A
Q806	Transistor	55138710	TR-SLPSWA KTD1304 N 20V 300MI0A
R801	Resistor	80440510	RMGCFMIN 0 OHM +0% 100MI0W
R802	Resistor	30944280	RMGCFMIN 120R0 OHM +5% 100MI0W
R803	Resistor	50886610	RMGCFMIN 10K0 OHM +5% 100MI0W
R804	Resistor	80440510	RMGCFMIN 0 OHM +0% 100MI0W
R805	Resistor	30944280	RMGCFMIN 120R0 OHM +5% 100MI0W
R806	Resistor	50886610	RMGCFMIN 10K0 OHM +5% 100MI0W
R807	Resistor	50886510	RMGCFMIN 62R0 OHM +5% 100MI0W
R808	Resistor	30944280	RMGCFMIN 120R0 OHM +5% 100MI0W
R809	Resistor	50886610	RMGCFMIN 10K0 OHM +5% 100MI0W
R811	Resistor	80440510	RMGCFMIN 0 OHM +0% 100MI0W
R812	Resistor	30944280	RMGCFMIN 120R0 OHM +5% 100MI0W
R813	Resistor	50886610	RMGCFMIN 10K0 OHM +5% 100MI0W
R814	Resistor	80440510	RMGCFMIN 0 OHM +0% 100MI0W
R815	Resistor	30944280	RMGCFMIN 120R0 OHM +5% 100MI0W
R816	Resistor	50886610	RMGCFMIN 10K0 OHM +5% 100MI0W
R817	Resistor	50886510	RMGCFMIN 62R0 OHM +5% 100MI0W
R818	Resistor	30944280	RMGCFMIN 120R0 OHM +5% 100MI0W
R819	Resistor	50886610	RMGCFMIN 10K0 OHM +5% 100MI0W
R820	Resistor	80440510	RMGCFMIN 0 OHM +0% 100MI0W
R821	Resistor	80440510	RMGCFMIN 0 OHM +0% 100MI0W
R824	Resistor	80440510	RMGCFMIN 0 OHM +0% 100MI0W
R825	Resistor	80440510	RMGCFMIN 0 OHM +0% 100MI0W
R826	Resistor	80440510	RMGCFMIN 0 OHM +0% 100MI0W
R827	Resistor	80440510	RMGCFMIN 0 OHM +0% 100MI0W
R828	Resistor	80440510	RMGCFMIN 0 OHM +0% 100MI0W
R829	Resistor	80440510	RMGCFMIN 0 OHM +0% 100MI0W
R830	Resistor	80440510	RMGCFMIN 0 OHM +0% 100MI0W
R831	Resistor	80440510	RMGCFMIN 0 OHM +0% 100MI0W
R832	Resistor	80440510	RMGCFMIN 0 OHM +0% 100MI0W
R833	Resistor	15464100	RMGCFMIN 10M0 OHM +5% 100MI0W
R834	Resistor	50886670	RMGCFMIN 1M0 OHM +5% 100MI0W
R836	Resistor	80440510	RMGCFMIN 0 OHM +0% 100MI0W
R837	Resistor	20471950	RMGCFMIN 1K0 OHM +5% 100MI0W
R838	Resistor	30944250	RMGCFMIN 10R0 OHM +5% 100MI0W
R839	Resistor	30944280	RMGCFMIN 120R0 OHM +5% 100MI0W
R840	Resistor	50886520	RMGCFMIN 91R0 OHM +5% 100MI0W
R841	Resistor	50886520	RMGCFMIN 91R0 OHM +5% 100MI0W
R842	Resistor	20471910	RMGCFMIN 56R0 OHM +5% 100MI0W

ONKYO CORPORATION

Sales & Product Planning Div. : 2-1, Nisshin-cho, Neyagawa-shi, OSAKA 572-8540, JAPAN
Tel: 072-831-8023 Fax: 072-831-8124

ONKYO U.S.A. CORPORATION

18 Park Way, Upper Saddle River, N.J. 07458, U.S.A.
Tel: 201-785-2600 Fax: 201-785-2650 <http://www.onkyousa.com>

ONKYO EUROPE ELECTRONICS GmbH

Liegnitzerstrasse 6, 82194 Groebenzell, GERMANY
Tel: +49-8142-4401-0 Fax: +49-8142-4401-555 <http://www.onkyo.net>

ONKYO CHINA LIMITED

Units 2102-2107, Metroplaza Tower I, 223 Hing Fong Road, Kwai Chung,
N.T., HONG KONG Tel: 852-2429-3118 Fax: 852-2428-9039

